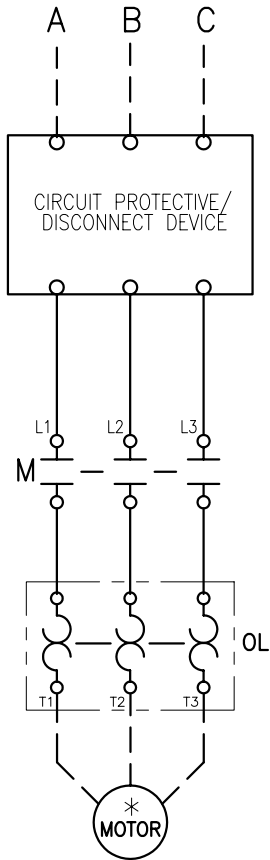
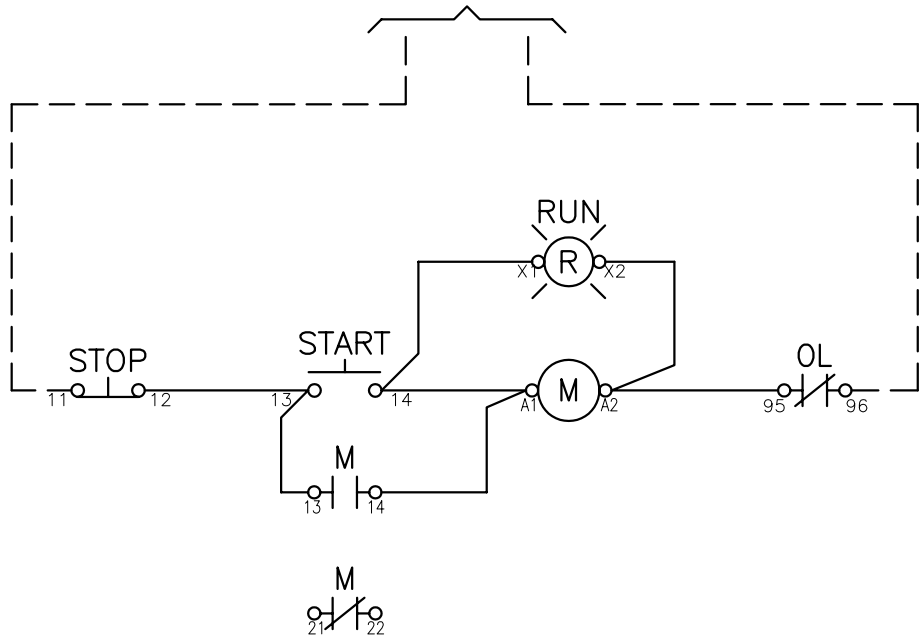


INCOMING LINES



**CUSTOMER SUPPLIED
CONTROL VOLTAGE**




LEGEND	
CCT	CONTROL CIRCUIT TRANSFORMER
CHFV	CCT PRIMARY FUSE
CXFV	CCT SECONDARY FUSE
M	CONTACTOR
OL	OVERLOAD RELAY
○13	CONN POINT ON DEVICE WITH NUMBER
*	REMOTE DEVICE
∅	CONNECTION POINT AT TERMINAL BLOCK

NOTES

1. COLOR OF CONTROL WIRE SHALL BE PER VOLTAGE ON CONTACTOR COILS:
RED-ALL AC VOLTAGES
WHITE MAY BE USED ON THE GROUNDED SIDE OF THE AC CIRCUIT IF SPECIFIED.
BLUE-ALL DC VOLTAGES
2. ALL DEVICES ARE SHOWN DE-ENERGIZED.
3. DO NOT USE SELECTOR SWITCHES WITH AUTO-RESET OVERLOAD RELAYS.

4. WIRE POINT TO POINT.

CUST

REV. LET.	REVISIONS	DATE	REV OR APPD BY	<p>THIS DRAWING IS THE PROPERTY OF ABB Inc. AND CONTAINS PROPRIETARY AND CONFIDENTIAL INFORMATION WHICH MUST NOT BE DUPLICATED, USED OR DISCLOSED OTHER THAN EXPRESSLY AUTHORIZED BY ABB Inc.</p>  <p>ABB Inc.</p>	DATE 6/13/06	REV. A	TITLE SCHEMATIC DIAGRAM A50-A145 HVAC
					DRAWN SC		
					CHK'D		
					PROJECT NO.		
					SHEET 1 OF 1	A	DRAWING NUMBER D 2401 3002-039