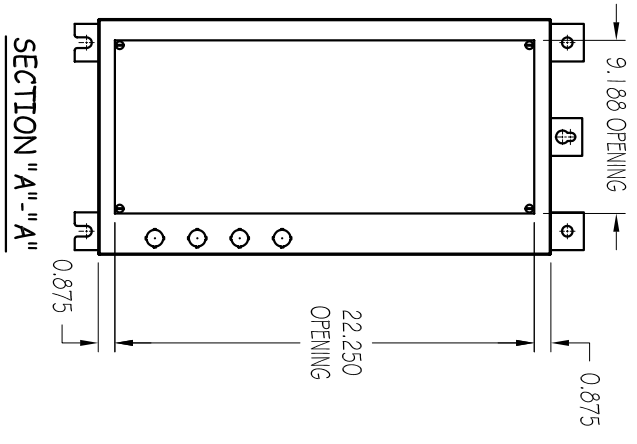
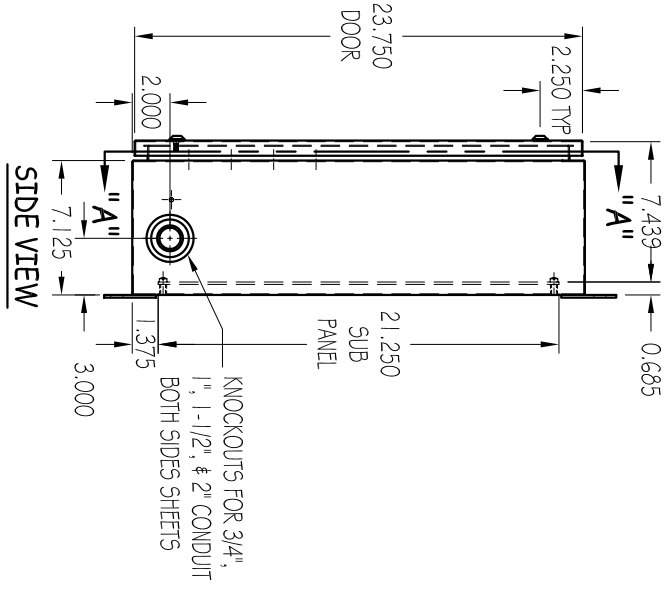
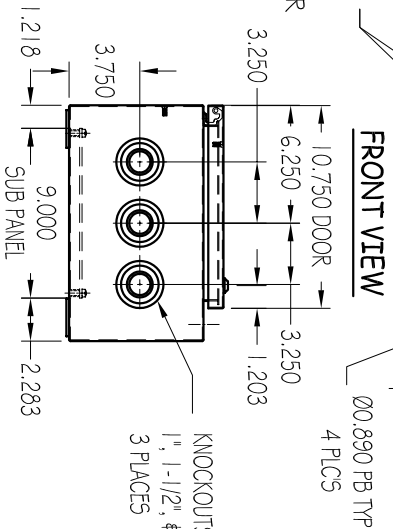


BOTTOM VIEW



- NOTES:
1. ENCLOSURE TO BE LABELED UL TYPE 1.
 2. ENCLOSURE IS 16GA. STEEL.
 3. ENCLOSURE PROVIDED WITH 14GA. WHITE PAINTED PRE-PUNCHED SUB PANEL.
 4. REFER TO DRAWING D 5491 1001-003.
 5. SCE-CONCEALED HINGE USED ON DOOR.
 6. GROUND STUDS ON BODY AND DOOR.
 7. SUB PANEL IS MOUNTED ON 1/4-20 X 9/16 HIGH B50.S.
 8. SCE-MINOR 1/4 TURN LATCHES TWO PLACES ON DOOR.
 9. .890 PUSH BUTTON HOLES (WITH HOLE PLUGS PROVIDED BY SCE) IN RIGHT FLANGE.

REV. LET.	REVISIONS	DATE	REV. OR APPD. BY	SCALE	DO NOT SCALE DRAWING	THIS DRAWING IS THE PROPERTY OF ABB Inc. AND CONTAINS PROPRIETARY AND CONFIDENTIAL INFORMATION WHICH IS NOT TO BE REPRODUCED, COPIED, OR DISCLOSED WITHOUT THE EXPRESS AUTHORIZATION BY ABB Inc.	ABB Inc.	DATE	REV.	TITLE
				3/32"				3/24/05	E	UL TYPE 1 ENCLOSURE
E	ADDED REFERENCE TO D 5491 1001-006 IN NOTE 3.	12/28/05	MRH	Material: 12.5X24X7.125	DIMENSIONS ARE IN INCHES			DRAWN DW		12.5 X 24 X 7.125
D	ADDED DIMENSION IN THE FRONT VIEW WAS Ø0.875	8/10/05	TSP	TYPE 1	FINISH: ANGI 61 LIGHT GREY			CHK'D		
C	TOP VIEW & BOTTOM VIEW 3.250 SPACING BETWEEN KNOCKOUTS WAS 3.125.	6/17/05	DW	STANDARD TOLERANCES	ANGLES			APPR'D	A	DRAWING NUMBER
B	ADDED KEY SLOT FOR 3/8 BOLT TO CENTER HANGING EAR	4/4/05	TSP	2 PL. DEC. ±.030	3 PL. DEC. ±.030			SHEET 1 OF 1		D 5491 0001-009