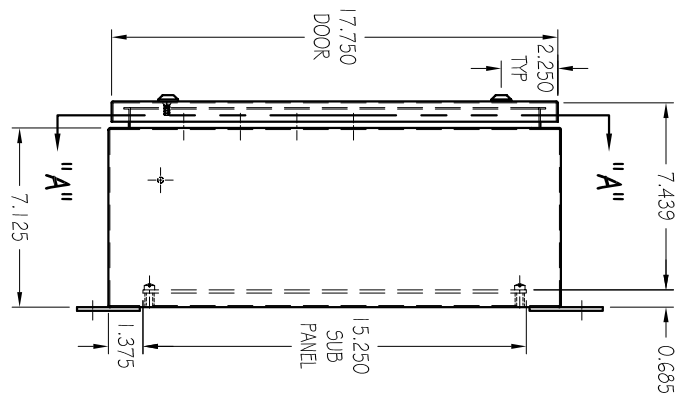
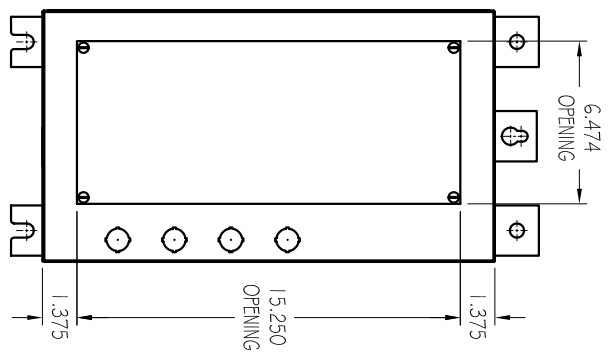


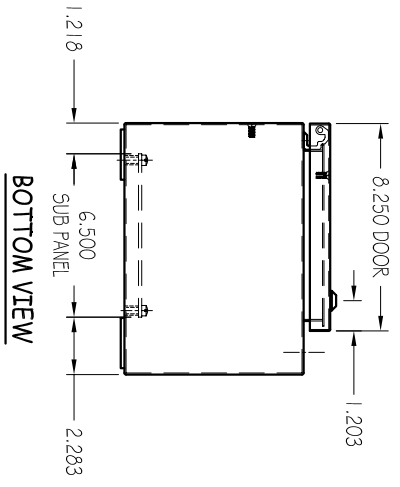
FRONT VIEW



SIDE VIEW



SECTION "A"- "A"



BOTTOM VIEW

- NOTES:
1. ENCLOSURE TO BE LABELED UL TYPE 4 & 12.
 2. ENCLOSURE IS 16GA. STEEL.
 3. ENCLOSURE PROVIDED WITH 14GA. WHITE PAINTED PRE-PUNCHED SUB PANEL. REFER TO DRAWING D 5491 1001-002.
 4. SCE-CONCEALED HINGE USED ON DOOR.
 5. GROUND STUDS ON BODY AND DOOR.
 6. SUB PANEL IS MOUNTED ON 1/4-20 X 9/16 HIGH B50.5.
 7. SCE-MINQB 1/4 TURN LATCHES TWO PLACES ON DOOR.
 8. .890 PUSH BUTTON HOLES (WITH HOLE PLUGS PROVIDED BY SCE) IN RIGHT FLANGE.
 9. POUR IN PLACE GASKET IS USED ON INSIDE OF DOOR FOR SEALING.
 10. ALL SEAMS WELDED AND GROUND SMOOTH.

DO NOT SCALE DRAWING		THIS DRAWING IS THE PROPERTY OF ABB Inc. AND CONTAINS PROPRIETARY AND CONFIDENTIAL INFORMATION WHICH MUST NOT BE DUPLICATED, USED OR DISCLOSED OTHER THAN EXPRESSLY AUTHORIZED BY ABB Inc.	
SCALE 1/8"	DIMENSIONS ARE IN INCHES	DATE 3/24/05	REV. D
MATERIAL: 10X18X7 1/2 TYPE 4 & 12	FINISH: ANS1 61 LIGHT GREY	DRAWN DW	UL TYPE 4 & 12 ENCLOSURE
STANDARD TOLERANCES	2 PL. DEC. ±.030	APPR'D	DRAWING NUMBER
ANGLES ±1°	3 PL. DEC. ±.030	SHEET 1 OF 1	D 5491 0001-011
REV. LET.	REVISIONS		
B	ADDED KEY SLOT FOR 3/8" BOLT	4/4/05	
C	ADDED KEY DIMENSION IN THE FRONT VIEW WAS Ø0.875	8/10/05	
D	ADDED REFER TO DRAWING D 5491 1001-002 TO NOTE 3	12/14/05	
		MRH	

PART