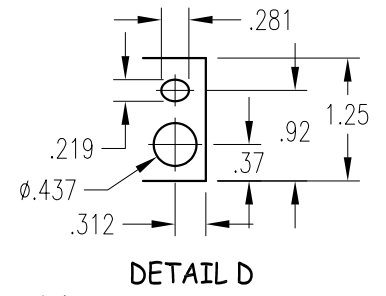
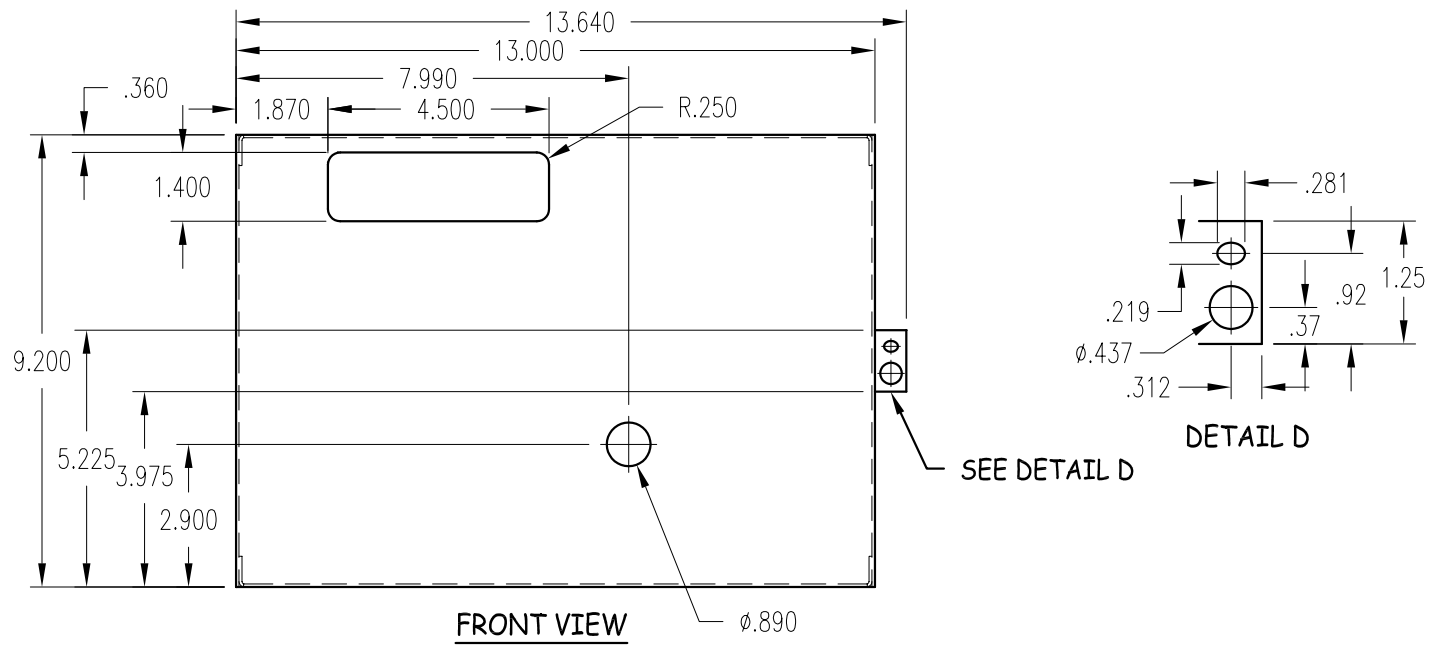
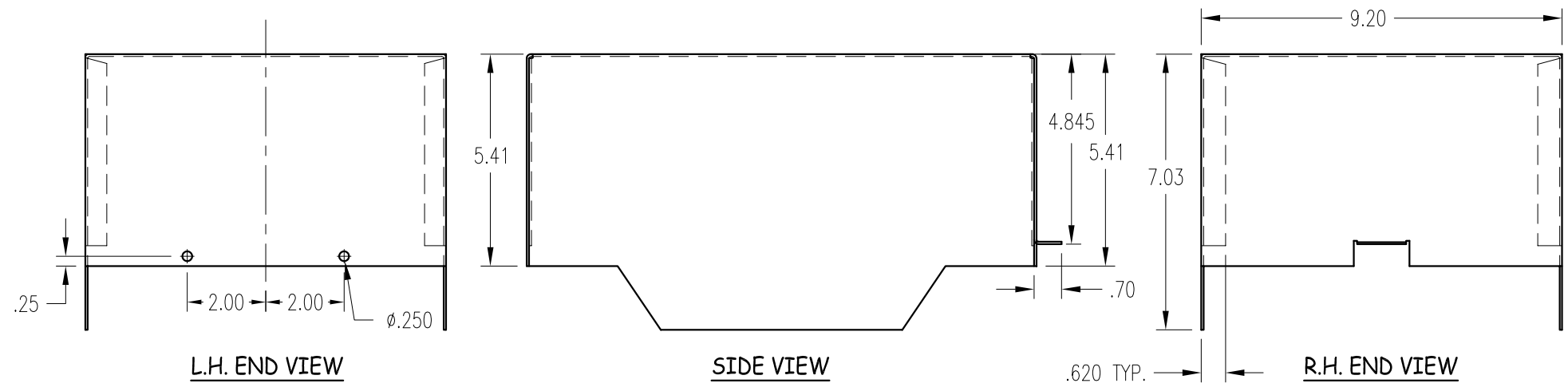


# TOP LIFT OFF COVER ENCLOSURE

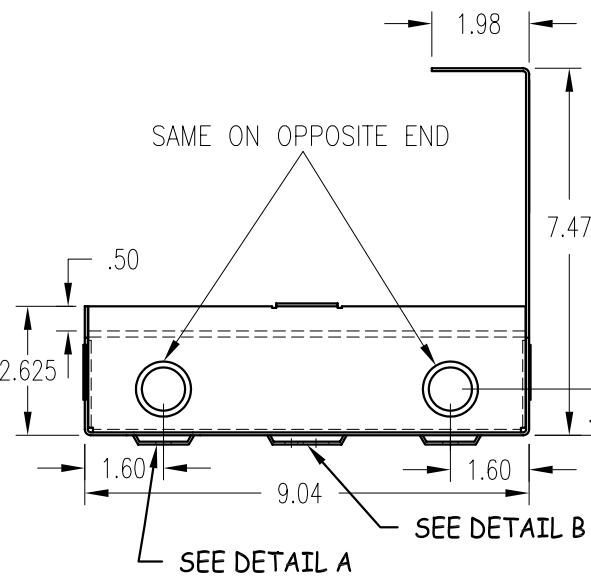
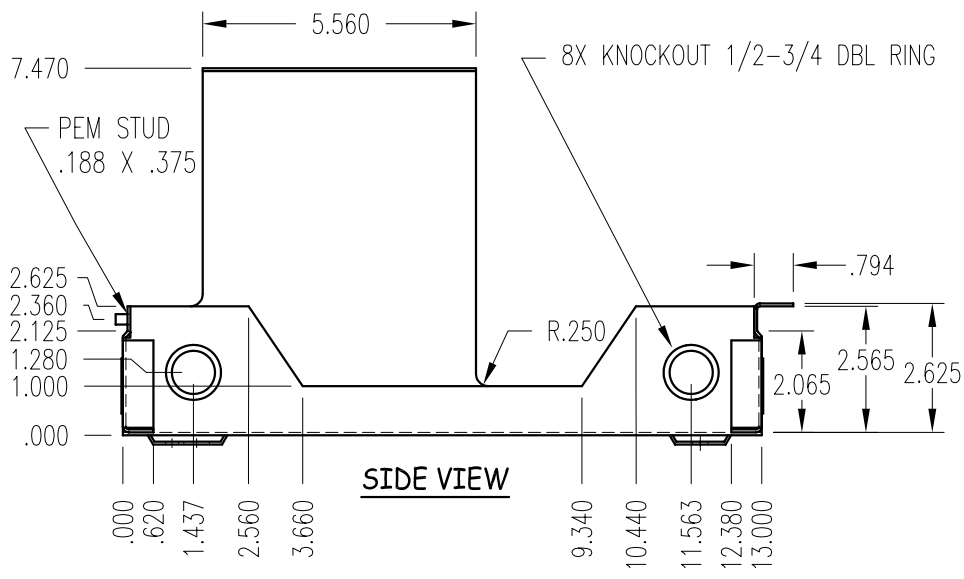
DRAWING NUMBER  
D 5492 0000-003



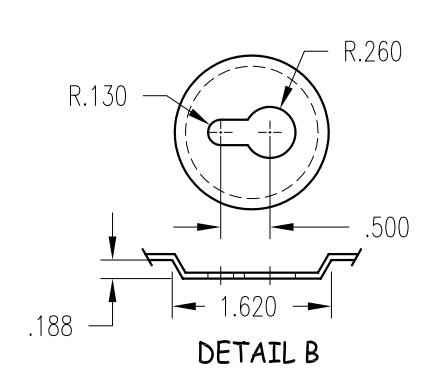
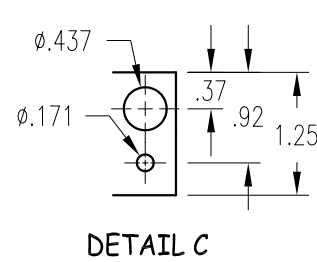
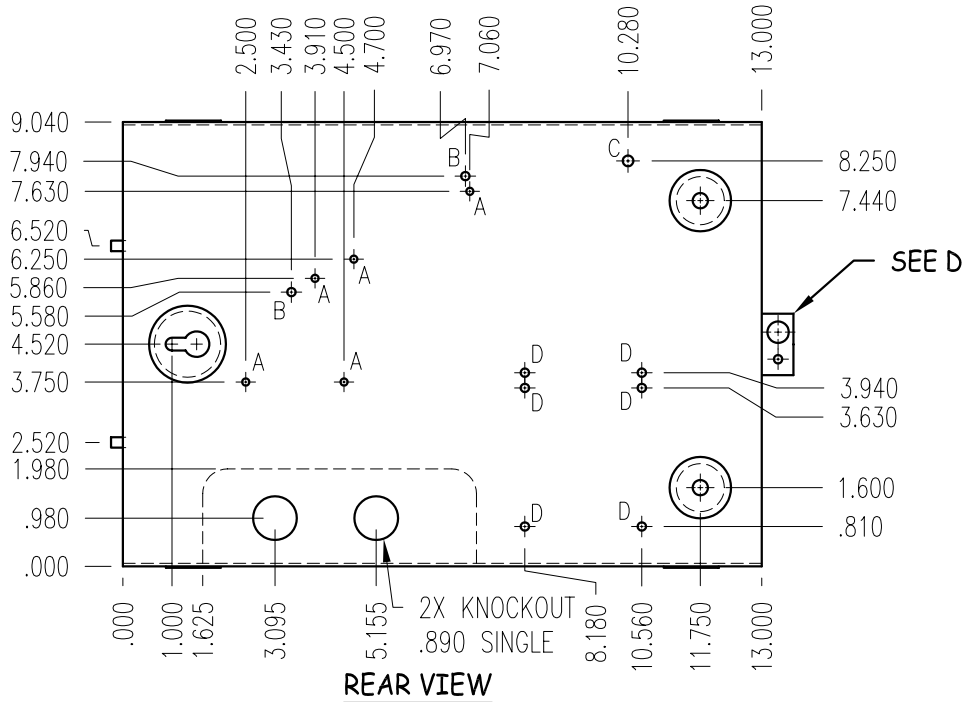
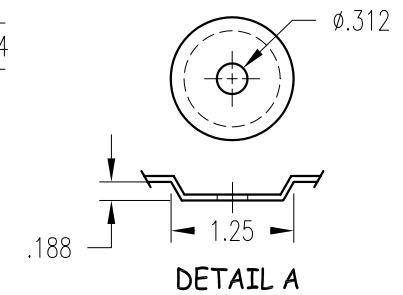
DRAWING NUMBER  
D 5492 0000-003



# BOTTOM LIFT OFF COVER ENCLOSURE



HOLE DIA.	HARDWARE
A	.146 8-32 TAP TIGHT
B	.171 10-32 TAP TIGHT
C	.218 1/4-20 TAP TIGHT
D	.171 10-32 TAP TIGHT



NOTE 1: DEBURR ALL SHARP EDGES AND POINTS!  
NOTE 2: PROVIDE ASSEMBLED IN A 8 3/4 X 13 X 14 1/2 BOX.

REPLACES 294RA

PART

REVISIONS		DATE	REV OR APPD BY	STANDARD TOLERANCES	2 PL DEC. ±.030	3 PL DEC. ±.030	ANGLES ±1°	THIS DRAWING IS THE PROPERTY OF ABB Inc. AND CONTAINS PROPRIETARY AND CONFIDENTIAL INFORMATION WHICH MUST NOT BE DUPLICATED, USED OR DISCLOSED OTHER THAN EXPRESSLY AUTHORIZED BY ABB Inc.	ABB Inc.	DATE	4/7/03	REV.	C	TITLE	LIFTOFF COVER ENCLOSURE TOP & BTM A30-A75 W/ CCT
C	B HOLE LOCATED AT 3.43,5.58 WAS AT 3.63,3.23, AND B HOLE LOCATED AT 6.97,7.94 WAS AT 7.17,7.94	8/3/04	RKB	Material: 16 GA. COLD-ROLLED STEEL	Finish: PAINTED ANSI 61 GREY							DRAWN	KBM	CHK'D	
B	CHANGED DIMENSIONS ON DETAIL 'A' AND 'B' .188 WAS .125 AND 1.620 ON DETAIL 'B' WAS 1.25	6/14/04	MSL							APPR'D			B		D 5492 0000-003
REV. LET.										PAGE	1	OF	1		