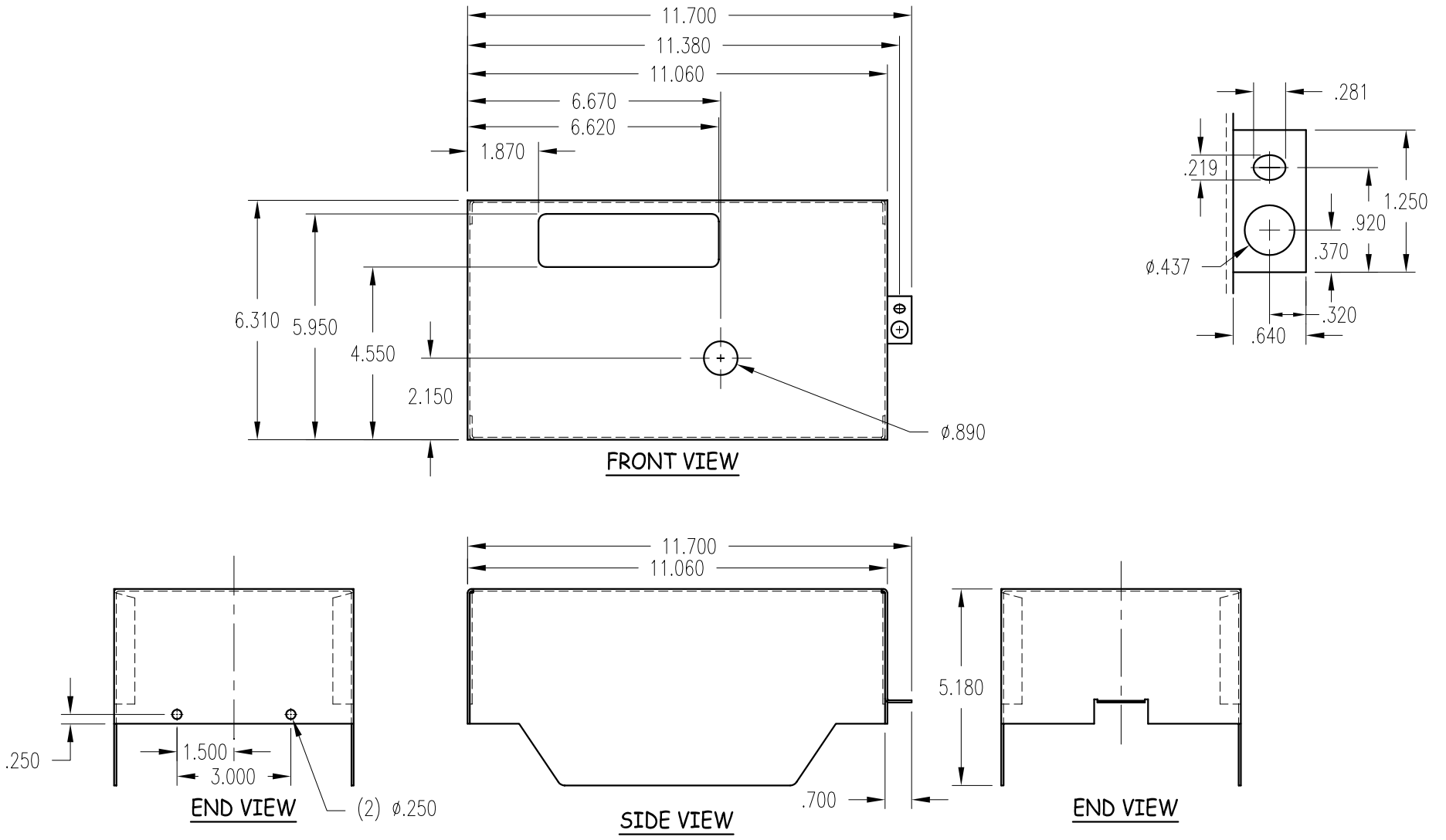
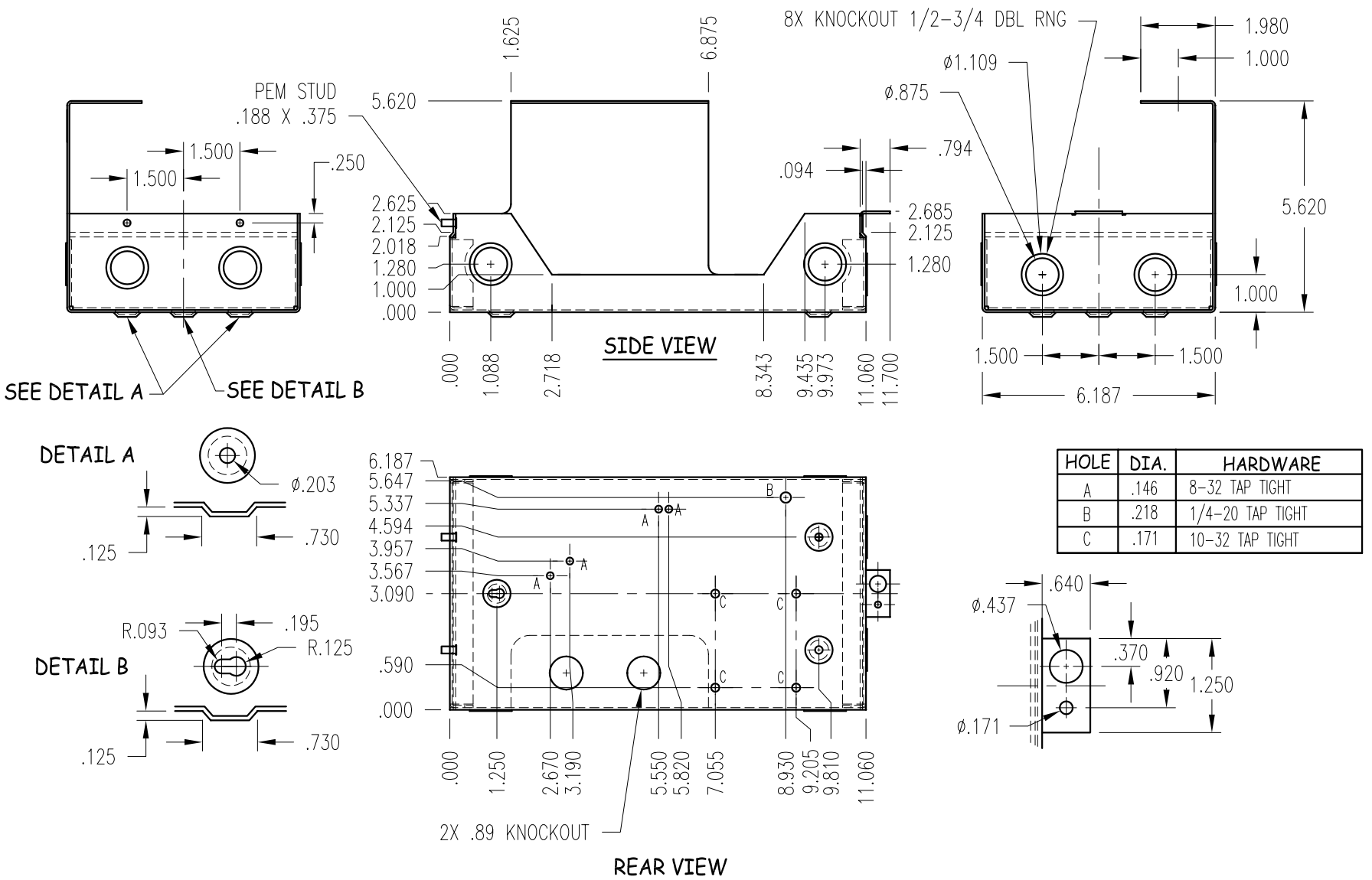


**TOP LIFT OFF COVER ENCLOSURE**



**BOTTOM LIFT OFF COVER ENCLOSURE**



NOTE 1: DEBURR ALL SHARP EDGES AND POINTS!  
 NOTE 2: PROVIDE ASSEMBLED IN A 8 1/4 X 8 1/4 X 13 1/4 BOX.

REPLACES 248RA

PART

DO NOT SCALE DRAWING		THIS DRAWING IS THE PROPERTY OF ABB Inc. AND CONTAINS PROPRIETARY AND CONFIDENTIAL INFORMATION WHICH MUST NOT BE DUPLICATED, USED OR DISCLOSED OTHER THAN EXPRESSLY AUTHORIZED BY ABB Inc.			DATE 4/7/03	REV. <b>A</b>	TITLE TOP & BTM LIFT-OFF COVER ENCL A9-A26 W/ CCT
SCALE 1/4"	DIMENSIONS ARE IN INCHES	Material: <b>16 GA COLD-ROLLED STEEL</b>	Material: <b>PAINTED ANSI 61 GREY</b>		DRAWN KBM		SIZE <b>B</b>
STANDARD TOLERANCES 2 PL DEC. $\pm .030$ 3 PL DEC. $\pm .030$ ANGLES $\pm 1^\circ$	REV. LET.	REVISIONS	DATE	APPD BY	APPR'D	PAGE 1 OF 1	

DRAWING NUMBER  
D 5492 0000-004