

Current / current isolator CC-E I/I



CC-E I/I-1

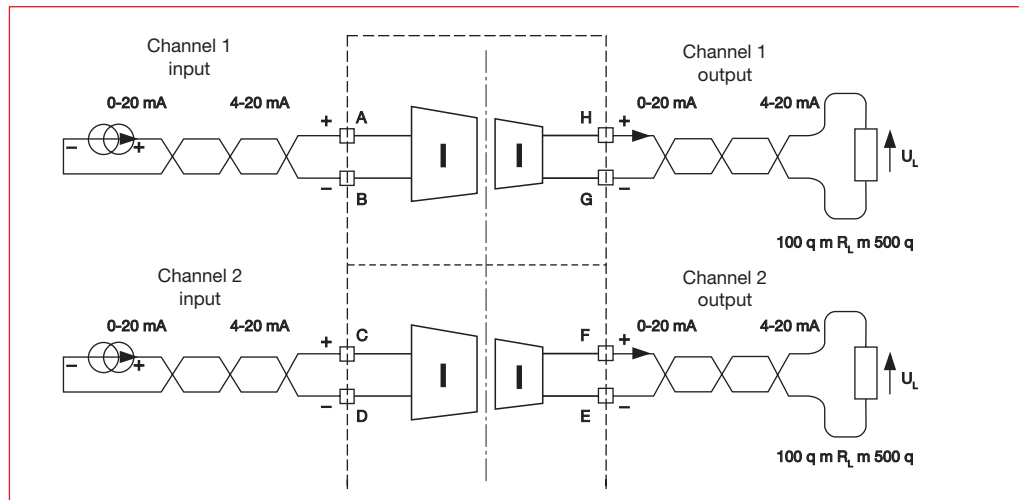


CC-E I/I-2

Loop-powered I/I isolator without external power supply for analog current signals of 0-20 mA and 4-20 mA

- Electrical isolation between input and output
- Very low internal voltage drop ≈ 2.5 V
- Available with one or two independent channels
- Width only 18 mm (1 and 2 channels)

Wiring instruction



Type	Number of channels	Order code
CC-E I/I-1	1 channel	1SVR 010 200 R1600
CC-E I/I-2	2 channel	1SVR 010 201 R0300

Packing unit: 1 piece