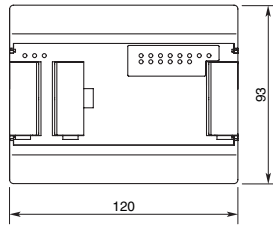


Approximate dimensions

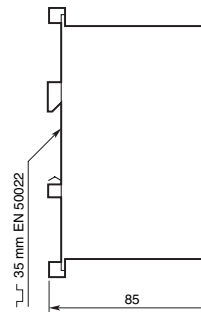
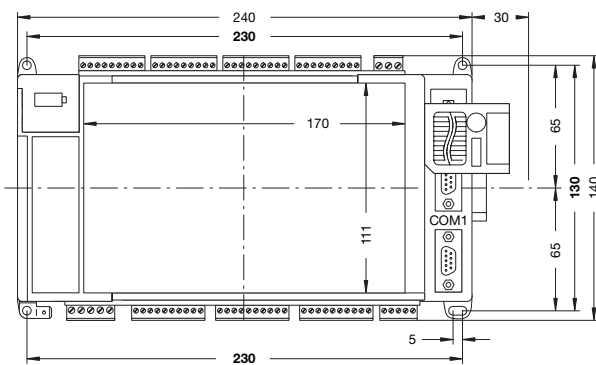
Central Units series 40..50 and bus module



W x H x D [mm]	120 x 93 x 84
W x H x D [inches]	4.72 x 3.66 x 3.31
Mounting	35 mm – DIN rail acc. to DIN EN 50022 or screw mounting

07CR41/42, 07CT41/42, 07KR51, 07KT51 and ICMK 14 F1N1

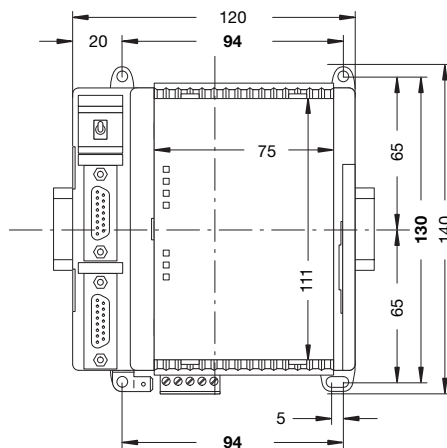
Central Units series 90



W x H x D [mm]	240 x 140 x 85
W x H x D [inches]	9,45 x 5,51 x 3,35
Mounting	35 mm – DIN rail acc. to DIN EN 50022 or screw mounting

07KT94, 07KT94-S, 07KT96, 07KT97 and 07KT98

Communication modules series 90

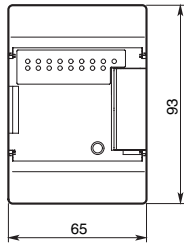


W x H x D [mm]	120 x 140 x 85
W x H x D [inches]	4,72 x 5,51 x 3,35
Mounting	35 mm – DIN rail acc. to DIN EN 50022 or screw mounting

07KP90, 07KP93

Approximate dimensions

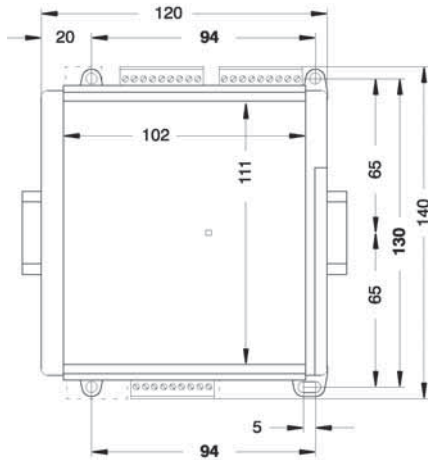
2 I/O modules and communication modules series 40..50



XI16E1, XO16N1, XO08R1, XO08Y1, XC08L1, XK08F1, XM06B5, XE06B5, 07KP53

W x H x D [mm]	65 x 93 x 84,5
W x H x D [inches]	2,56 x 3,66 x 3,33
Mounting	35 mm – DIN rail acc. to DIN EN 50022 or screw mounting

I/O modules series 90



07DI92, 07DC91/92, 07AI91, 07AC91, 07DO90-2, 07DI90-S, AI90-S

W x H x D [mm]	120 x 140 x 85
W x H x D [inches]	4,72 x 5,51 x 3,35
Mounting	35 mm – DIN rail acc. to DIN EN 50022 or screw mounting