

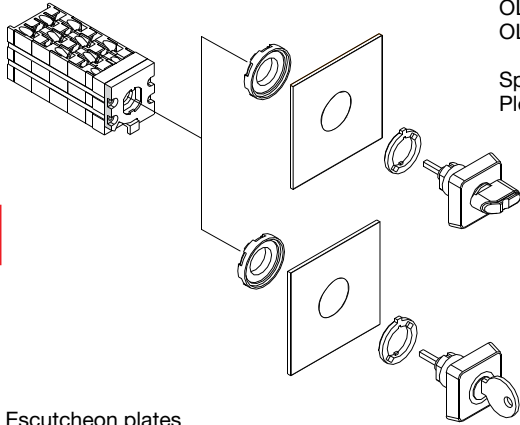
Door mounting cam switches

- IP 65
- NEMA 4X outdoor (ON, OL40)
- Key operated switch, IP54
- OM, Miniature
- ON, Normal
- OL, Large

Door drilling

OM: Ø 16.5mm / Ø 22.5mm
 ON: Ø 22.5mm / Ø 30.5mm
 OL40: Ø 22.5mm / Ø 30.5mm

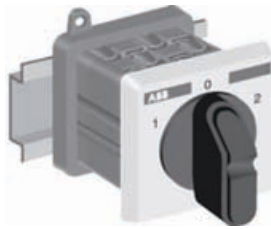
Maximum panel thickness 5.5 mm.
 The black handle with square escutcheon plate marked for switch type is supplied with the switch body. Optional adaptor ring available for 30.5 mm hole.



Escutcheon plates
 OM 30x30
 ON 48x48
 OL40 48x68

DIN-rail mounting

- P 44
- ON, Modular



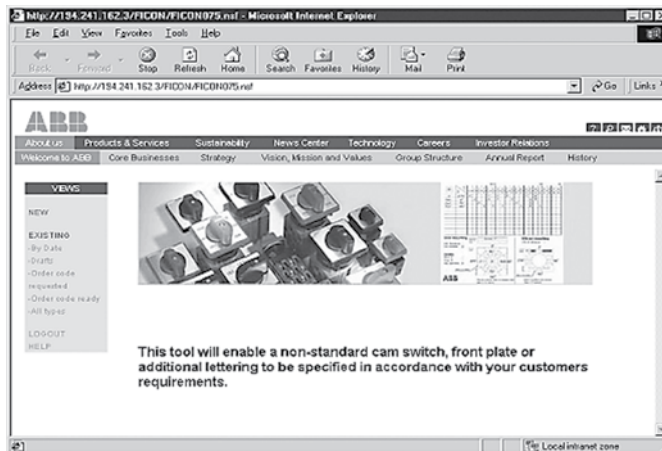
Number of contacts

OM: 16 contacts
 ON: 20 contacts
 ON_M: 6 contacts
 OL40: 20 contacts
 OL80, 125, 160, 200: 24 contacts

Special switches up to 60 contacts
 Please consult with us.

Features:

- Complete delivery for easy purchasing and assembly
- Standard delivery with black handle, alt. grey or red yellow handle
- Small panel size: front space in side to side mounting 30 mm or 50 mm up to 25 A
- Finger protected terminals and interconnections (IP20, VBG4)
- Self lifting screws, terminal screws for fast cabling
- Double break silver contacts with 0,35 µm gold grid ensure a high breaking capacity and reliable connection.
 Also available with solid golden contacts for extremely difficult circumstances. Have to be ordered separately, please add G to the type, e.g; OMA 1 PBG.
- Fast special engraving service available
- Metallic shaft as special version
- Fast-on terminals available as special version



User guiding CamWeb Configurator for special cam switches

The user guiding CamWeb Configurator generates automatically the new cam switch type and sends order code for non-standard cam switches and front plates.

The global order code enables fast and failure free EDI-orders as standard switch from the first time.

The path to the configurator through ABB home pages:
www.abb.com or inside.abb.com
 Product&Services
 Low Voltage Products
 Switches&Fusegear
 Switches
 Cam Switches – CamLine
 Special Cam Switches

You may also use the direct internet URL:
<http://194.241.162.3/FICON/FICON075.nsf>