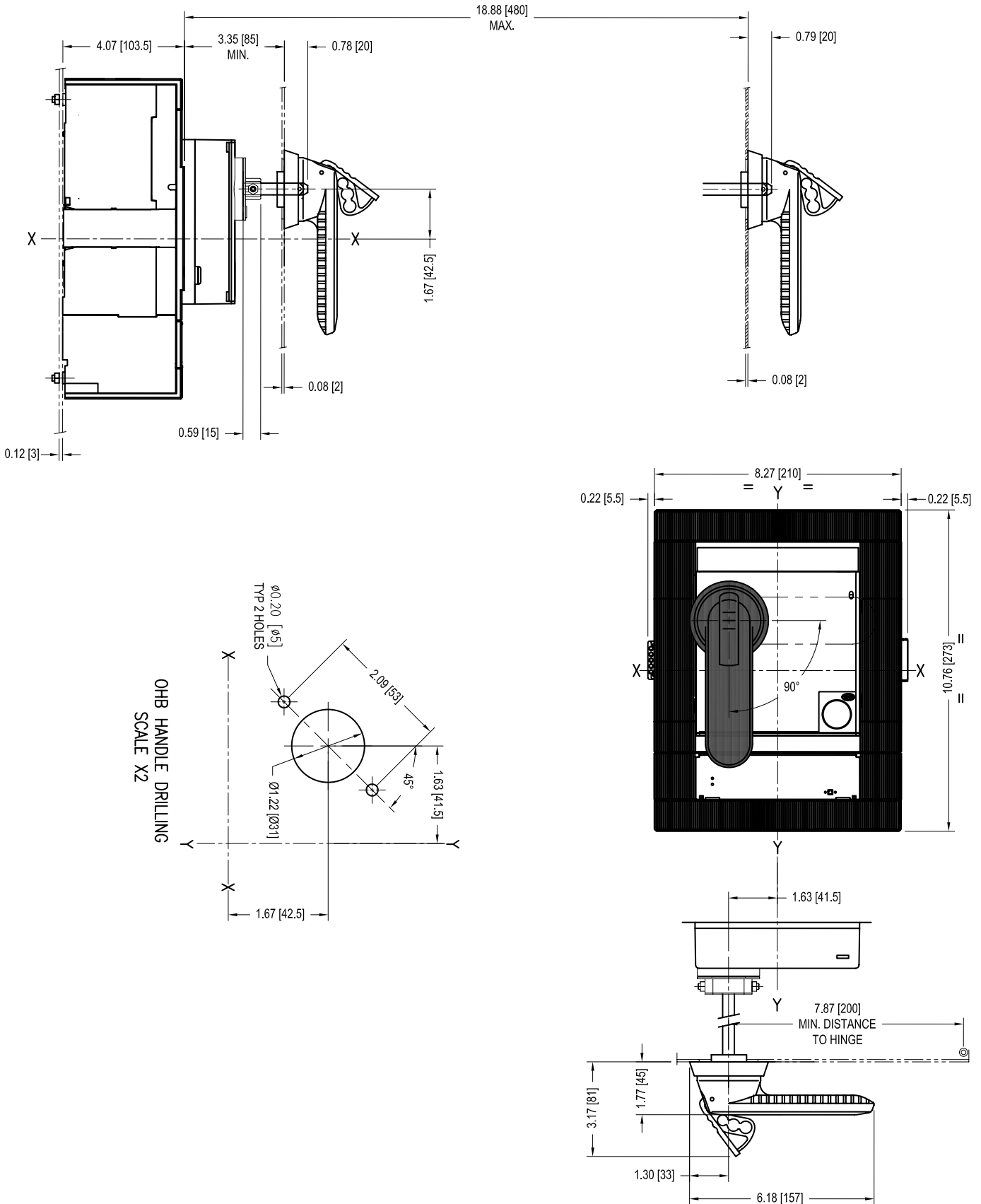


Approximate dimensions Variable depth mechanism T6



OHB HANDLE DRILLING
SCALE X2