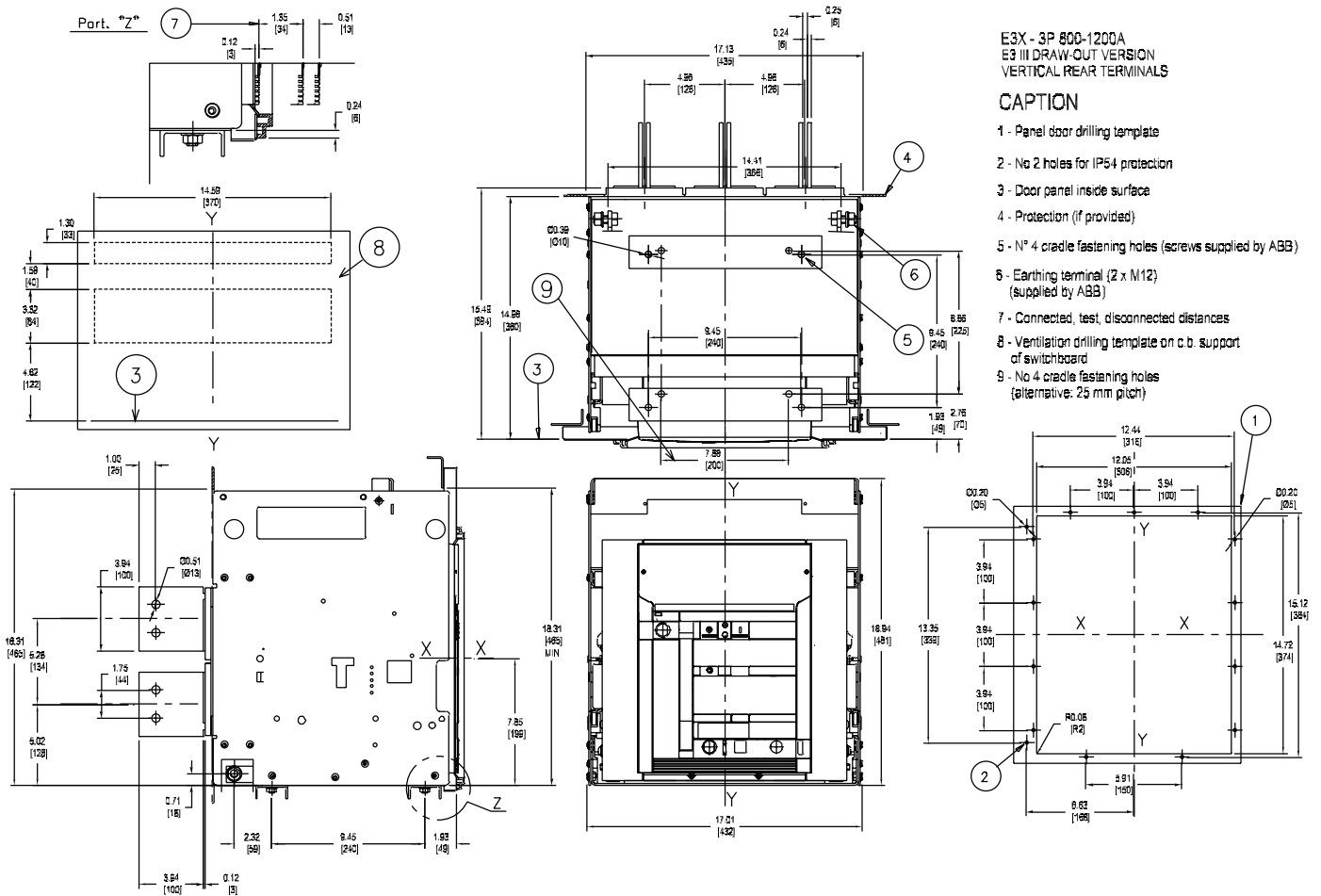


Approximate dimensions (for UL version) ①

E3X Draw-out with Vertical rear terminals, 3 pole, 800-1200A

00.00 Inches
00.00 [Millimeters]



① For IEC dimensions, see Emax technical catalog 1SDC200005D0201 available for download at: <http://www.abb-control.com/pdf/catalog/1SDC200005D0201.pdf>