

# Approximate dimensions 2, 3 & 4 Pole ③ 16A – 3150A, non-fusible

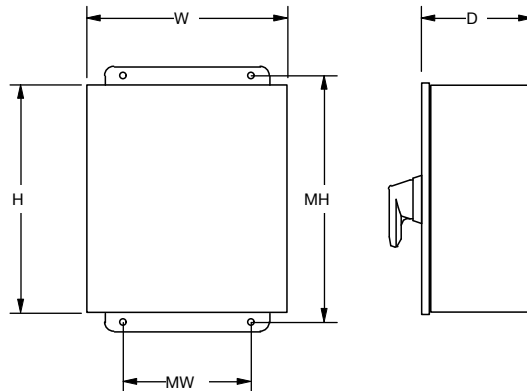
**Disconnect  
switches  
Non-fusible  
Enclosed**

## Non-Fusible

Frame size	Enclosure type	H height	W width	D depth	MH mtg. height	MW mtg. width	Weight
OT16_ OT25_ OT32_	1	7.0	5.0	3.0	4.0	4.0	4.0
	3R	7.0	5.0	3.0	7.75	3.0	4.0
	4	6.0	6.0	4.0	6.75	4.0	4.0
	4X SS	7.0	5.0	3.0	7.75	3.0	4.0
	4X Plastic	6.0	6.0	5.9	6.75	4.0	4.0
	12	7.0	5.0	3.0	7.75	3.0	4.0
	IP65 (A) IP65 (B)	4.8 5.9	3.4 5.1	2.4 2.4	4.17 5.35	2.80 4.57	1.0 1.0
OT45_ OT63_ OT30_ OT60_	1	8.0	6.0	4.0	7.0	5.0	6.0
	3R	8.0	6.0	4.0	8.75	4.0	6.0
	4	8.0	6.0	4.0	8.75	4.0	6.0
	4X SS	8.0	6.0	4.0	8.75	4.0	6.0
	4X Plastic	8.0	6.0	5.9	8.75	4.0	6.0
	12	8.0	6.0	4.0	8.75	4.0	6.0
	IP65 (A) IP65 (B)	7.9 15.8	5.7 7.9	3.6 5.5	7.24 14.8	5.16 6.93	4.0 4.0
OT100	1	10.0	8.0	5.0	7.0	7.0	9.0
	3R	10.0	8.0	5.0	10.75	6.0	9.0
	4	10.0	8.0	5.0	10.75	6.0	9.0
	4X SS	10.0	8.0	5.0	10.75	6.0	9.0
	4X Plastic	10.0	8.0	5.9	10.75	6.0	9.0
	12	10.0	8.0	5.0	10.75	6.0	9.0
	IP65 (A) IP65 (B)	7.9 15.8	5.7 7.9	3.6 5.5	7.24 14.8	5.16 6.93	4.0 4.0
OT160	1	14.0	12.0	8.0	11.0	9.0	20
	3R	14.0	12.0	8.0	14.75	10.0	20
	4	14.0	12.0	8.0	14.75	10.0	20
	4X SS	14.0	12.0	8.0	14.75	10.0	20
	4X Plastic	14.0	12.0	8.0	14.75	10.0	12
	12	14.0	12.0	8.0	14.75	10.0	20

Frame size	Enclosure type	H height	W width	D depth	mtg. height	MW mtg. width	Weight
OT200	1	20.0	16.0	6.0	25.5	14.5	50
	3R	20.0	16.0	6.0	25.5	14.5	50
	4	20.0	16.0	6.0	25.5	14.5	50
	4X SS	20.0	16.0	6.0	25.5	14.5	50
	4X Plastic	20.0	16.0	6.0	25.5	14.5	40
OT400	1	36.0	24.0	8.0	37.5	22.5	120
	3R	36.0	24.0	8.0	37.5	22.5	120
	4	①	①	①	①	①	①
	4X SS	36.0	24.0	8.0	37.5	22.5	130
	4X Plastic	①	①	①	①	①	①
OT600	1	36.0	24.0	8.0	37.5	22.5	120
	3R	36.0	24.0	12.0	37.5	22.5	120
	4	36.0	24.0	12.0	37.5	22.5	120
	4X SS	36.0	24.0	12.0	37.5	22.5	120
	4X Plastic	40.0	32.0	12.0	41.2	30.2	120
OETL-NF800A OETL-NF1200	1	36.0	24.0	12.0	37.5	22.5	120
	3R	36.0	24.0	12.0	37.5	22.5	120
	4	36.0	24.0	12.0	37.5	22.5	120
	4X SS	60.0	36.0	12.0	61.5	34.5	200
	4X Plastic	①	①	①	①	①	①
OETL-NF1600 OETL-NF2000 OETL-NF3150	1	60.0	36.0	12.0	61.5	34.5	200
	3R	60.0	36.0	12.0	61.5	34.5	200
	4	60.0	36.0	12.0	61.5	34.5	200
	4X SS	60.0	36.0	12.0	61.5	34.5	200
	4X Plastic	①	①	①	①	①	①
OETL-NF1600 OETL-NF2000 OETL-NF3150	1	90.0	36.0	24.0	②	②	600
	3R	90.0	36.0	24.0	②	②	600
	4	①	①	①	①	①	①
	4X SS	①	①	①	①	①	①
	4X Plastic	①	①	①	①	①	①
12	90.0	36.0	24.0	②	②	600	

- ① Please consult factory, enclosures are sized to suit specific customer needs.
- ② Enclosure is free standing.
- ③ Some 4-pole switches require larger enclosures. Please consult factory.



600V, 16A - 3150A  
2, 3 and 4-pole switches  
Enclosure dimensions