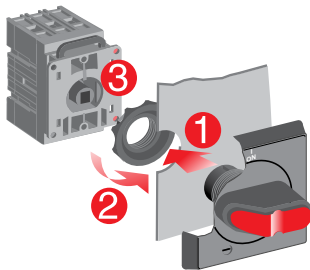
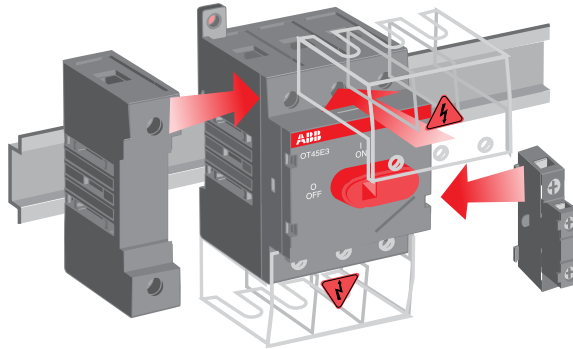
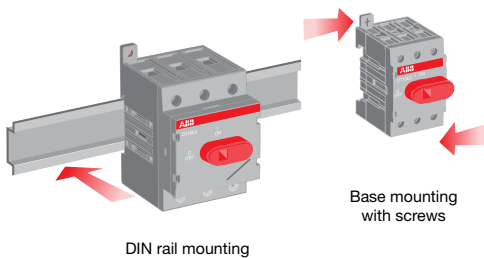


Broad range of accessories

- Handles — UL/NEMA type 1, 3R, 4, 4X, 12; IP54, 65, 66
- Auxiliary contacts available for every switch size
- Additional power poles
- Additional terminal poles (neutrals & grounds)
- Terminal shrouds
- 6 & 8 pole mechanisms
- Transfer mechanisms
- Bypass mechanisms
- Mechanical interlock mechanisms
- Electro-mechanical interlock mechanisms
- Motor operators



Door mounting



DIN rail mounting

Base mounting
with screws

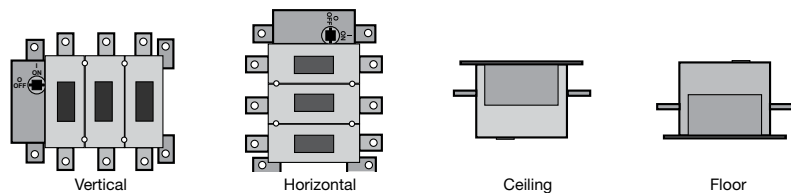
Mounting

SwitchLine disconnect switches offer several mounting possibilities:

- Door mounting on an enclosure door or sidewall, 16A – 125A
- DIN rail mounting, 16A – 125A
- Base mounting with screws, 16A – 3150A

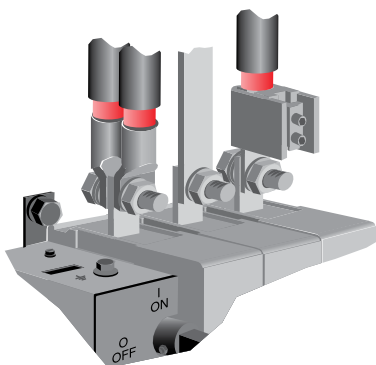
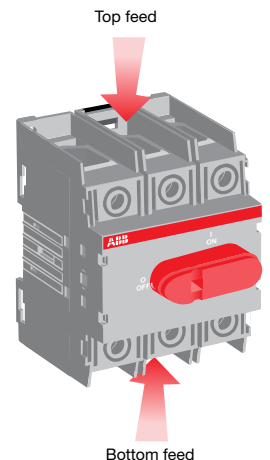
Mounting positions

SwitchLine disconnect switches may be mounted in any position:



Incoming power feeds

SwitchLine disconnect switches can be used equally well with either top or bottom incoming power feeds.



Terminal connections

Versatile connecting possibilities, 200A – 3150A:

- Ring tongue crimp on lugs
- Direct bus
- Terminal lugs