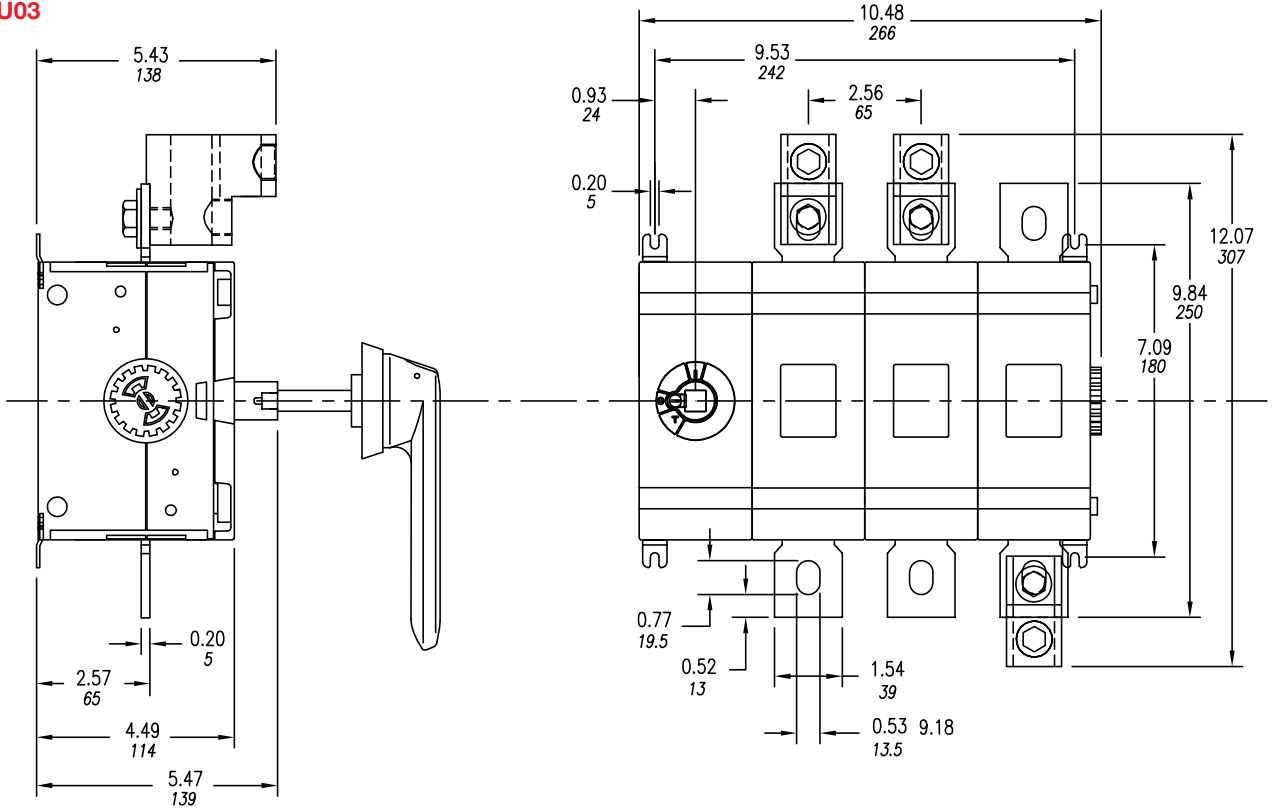


# Approximate dimensions OT600U03 – OETL-NF800A

Disconnect  
switches  
Non-fusible

00.00 Inches  
00.00 [Millimeters]

## OT600U03



## OETL-NF800A

