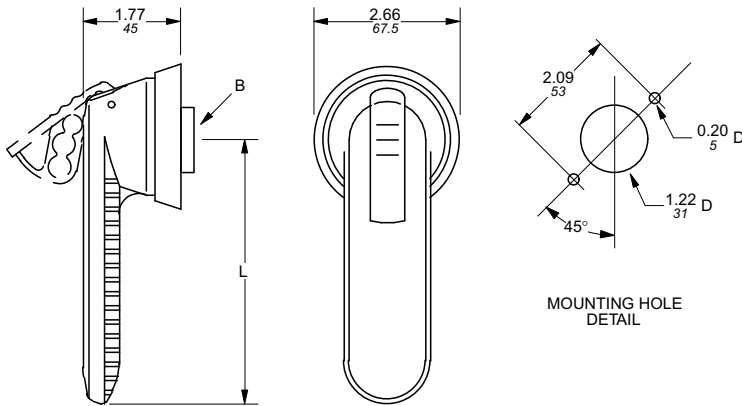


Approximate dimensions for Handles

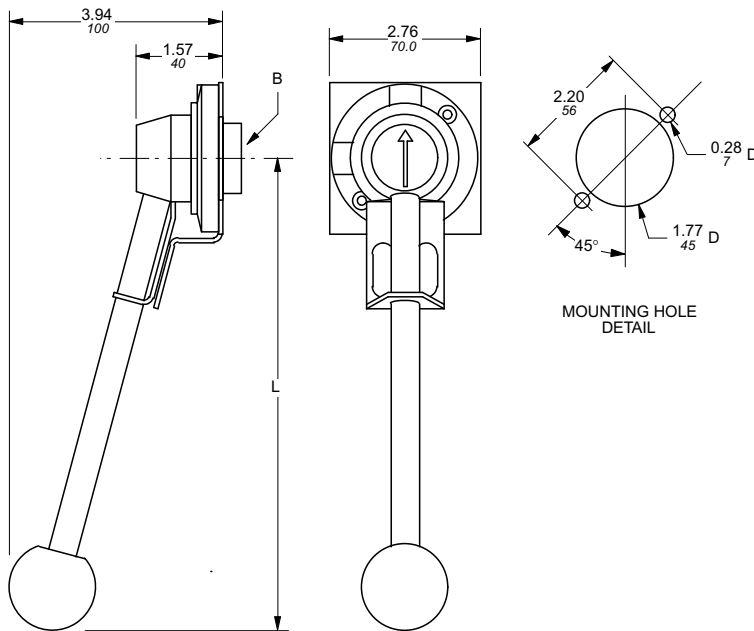
00.00 — Inches
00.00 — [Millimeters]

Pistol handles



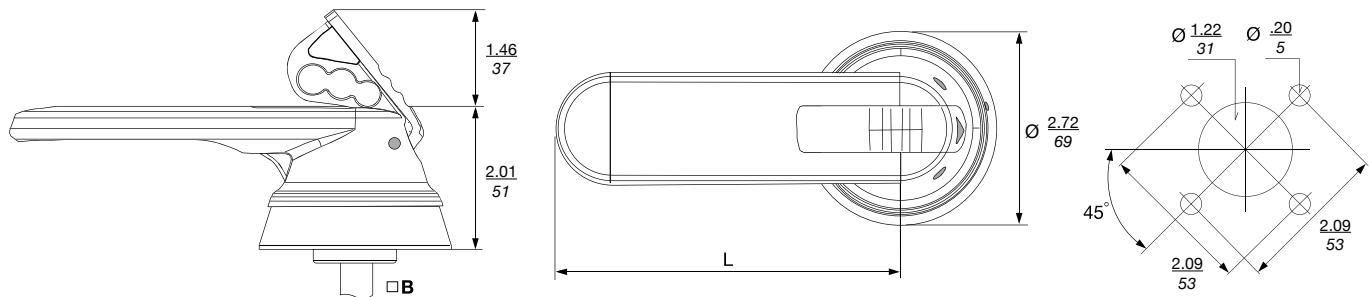
A Catalog number	L Inches/ mm	□B Shaft size Inches/ mm	NEMA / UL Type
OH_45J5	1.8/45	0.20/5	1, 3R, 12
OH_65J5	2.6/65	0.20/5	1, 3R, 12
OH_45J6	1.8/45	0.24/6	1, 3R, 12
OH_65J6	2.6/65	0.24/6	1, 3R, 12
OH_80J6	3.1/80	0.24/6	1, 3R, 12
OH_65J8	2.6/65	0.31/8	1, 3R, 12
OH_80J8	3.1/80	0.31/8	1, 3R, 12
OH_125J12	4.9/125	0.47/12	1, 3R, 12
OH_145J12	5.7/145	0.47/12	1, 3R, 12
OH_175J12	6.9/175	0.47/12	1, 3R, 12
OH_65L5	2.6/65	0.20/5	1, 3R, 4, 4X, 12
OH_80L6	3.1/80	0.24/6	1, 3R, 4, 4X, 12
OH_80L8	3.1/80	0.31/8	1, 3R, 4, 4X, 12
OH_145L12	5.7/145	0.47/12	1, 3R, 4, 4X, 12
OH_175L12	6.9/175	0.47/12	1, 3R, 4, 4X, 12

— = Handle color, B (Black) or Y (Red/Yellow)



A catalog number	L inches/mm	□B Shaft size inches/mm	NEMA Type
YASDA-7	8.66/220	0.47/12	1, 3R, 4, 4X, 12
YASDA-8	8.66/220	0.47/12	1, 3R, 4, 4X, 12
YASDA-21	8.66/220	0.47/12	1, 3R, 4, 4X, 12
YASDA-6	12.60/320	0.47/12	1, 3R, 4, 4X, 12

18



Handle type	OHM45L5	OHM65L5	OHM65L6	OHM125L12	OHM175L12	OHM275L12
L	1.8/45	2.6/65	2.6/65	4.9/125	6.9/175	10.8/275
□B	.2/5	.2/5	.2/6	.5/12	.5/12	.5/12