

Fixed capacitor banks

3 phase, Internally Protected Elements

240 & 480 Volt, 60 Hz



Suitable for direct compensation where fixed power factor correction is desired.

Features include:

- Dry environmentally safe construction
- Self healing capability
- Patented Internal Protected Elements
- Individual capacitors connected by bus bar
- Indoor, dusttight or raintight enclosure
- NEMA 1, 3R, 12
- Easy mounting
- Easy electrical connection to large terminals
- Convenient grounding lug

240 Volt, 60 Hz – 3 phase

Enclosure size	kvar rating ①	Qty / kvar	Approx. shipping weight (lbs.)	Enclosure type					
				Indoor – NEMA 1		Outdoor – NEMA 3R		Indoor – NEMA 12	
				Catalog number	List price	Catalog number	List price	Catalog number	List price
63	70	2/35	155	F246G70	Consult factory	F246R70	Consult factory	F246D70	Consult factory
	80	1/35, 1/40	155	F246G80		F246R80		F246D80	
	90	2/45	155	F246G90		F246R90		F246D90	
	100	2/50	155	F246G100		F246R100		F246D100	
	110	2/55	155	F246G110		F246R110		F246D110	
	120	2/60	155	F246G120		F246R120		F246D120	
	130	1/40, 2/45	235	F246G130		F246R130		F246D130	
	150	3/50	235	F246G150		F246R150		F246D150	
	160	1/50, 3/55	155	F246G160		F246R160		F246D160	
	180	3/60	235	F246G180		F246R180		F246D180	
	200	4/50	310	F246G200		F246R200		F246D200	
	250	5/50	370	F246G250		F246R250		F246D250	
	300	5/60	370	F246G300		F246R300		F246D300	

480 Volt, 60 Hz – 3 phase

Enclosure size	kvar rating ①	Qty / kvar	Approx. shipping weight (lbs.)	Enclosure type					
				Indoor – NEMA 1		Outdoor – NEMA 3R		Indoor – NEMA 12	
				Catalog number	List price	Catalog number	List price	Catalog number	List price
63	125	1/55, 1/70	125	F486G125	Consult factory	F486R125	Consult factory	F486D125	Consult factory
	130	2/65	125	F486G130		F486R130		F486D130	
	140	2/70	125	F486G140		F486R140		F486D140	
	150	2/75	125	F486G150		F486R150		F486D150	
83	160	2/80	155	F488G160	Consult factory	F488R160	Consult factory	F488D160	Consult factory
	175	2/87.5	155	F488G175		F488R175		F488D175	
	180	2/90	155	F488G180		F488R180		F488D180	
	200	2/100	155	F488G200		F488R200		F488D200	
63	220	1/70, 2/75	200	F486G220	Consult factory	F486R220	Consult factory	F486D220	Consult factory
	225	3/75	200	F486G225		F486R225		F486D225	
83	240	3/80	235	F488G240	Consult factory	F488R240	Consult factory	F488D240	Consult factory
	250	1/90, 2/80	235	F488G250		F488R250		F488D250	
	260	2/90, 1/80	235	F488G260		F488R260		F488D260	
	280	1/00, 2/90	235	F488G280		F488R280		F488D280	
	300	3/100	235	F488G300		F488R300		F488D300	
	350	4/87.5	310	F488G350		F488R350		F488D350	
	360	4/90	310	F488G360		F488R360		F488D360	
	400	4/100	310	F488G400		F488R400		F488D400	
	450	5/90	370	F488G450		F488R450		F488D450	
	475	5/95	370	F488G475		F488R475		F488D475	
	500	5/100	370	F488G500		F488R500		F488D500	
600	6/100	450	F488G600	F488R600	F488D600				

208 Volt availability

For 208 volt applications, derate the 240V capacitors. The kvar at 208V will be .75 times the kvar at 240V.

NOTE: ABB's patented IPE design eliminates the need for additional overcurrent protection when capacitors are electrically connected on the load side of a motor starter circuit breaker or fusible disconnect switch.

☒ For additional kvar ratings not listed above, please consult factory.

Fixed capacitor banks

3 Phase, Internally Protected Elements

600 Volt, 60Hz

600 volt, 60Hz – 3 phase

Enclosure size	kvar rating ①	Qty / kvar	Approx. shipping weight (lbs.)	Enclosure type					
				Indoor – NEMA 1		Outdoor – NEMA 3R		Indoor – NEMA 12	
				Catalog number	List price	Catalog number	List price	Catalog number	List price
63	160	2/80	155	F606G160	Consult factory	F606R160	Consult factory	F606D160	Consult factory
83	200	2/100	155	F608G200		F608R200		F608D200	
63	240	3/80	195	F606G240		F606R240		F606D240	
83	270	3/90	230	F608G270		F608R270		F608D270	
	300	3/100	230	F608G300		F608R300		F608D300	
63	320	4/80	250	F606G320		F606R320		F606D320	
83	350	4/87.5	275	F608G350		F608R350		F608D350	
	360	4/90	275	F608G360		F608R360		F608D360	
	400	4/100	275	F608G400		F608R400		F608D400	
	500	5/100	375	F608G500		F608R500		F608D500	
	600	6/100	450	F608G600	F608R600	F608D600			

Capacitor state indication system

240V kvar	480V & 600V kvar	Catalog number suffix	List price adder
90 – 120	125 – 200	-2LE	Consult factory
130 – 180	210 – 300		
200	320 – 400		
250 – 300	450 – 500		
–	600		

The capacitor state indication system consists of two yellow LED lights which illuminate only when the capacitor is energized and functioning at 65% or more of its rated kvar capacity.

The two light system will indicate a failure in any one of the three phases of the capacitor.

Wall mounting assemblies

Type	Catalog number	List price adder
Wall mounting kit, 2 – 6 units per bank	FBWM	Consult factory

NOTE: ABB's patented IPE design eliminates the need for additional overcurrent protection when capacitors are electrically connected on the load side of a motor starter circuit breaker or fusible disconnect switch.

Fixed capacitor banks

3 Phase, 240 & 480 Volt, 60 Hz

with three fuses and blown fuse indicators



F26G250-3FI

ABB low voltage capacitors are fully protected by the three levels of protection offered by the patented Sequential Protection System which includes dry self-healing capacitors, internally protected elements and the dry non-flammable vermiculite filler. However, some users have traditionally requested external fuses and blown fuse indicators, so these modified units are offered for those applications.

Features include:

- Dry, environmentally safe construction
- Self healing capability
- Patented Internal Protected Elements
- Individual capacitors connected by bus bar
- NEMA 1, 3R, 12
- Easy mounting
- Easy electrical connection to large terminals
- Convenient grounding lug
- Each individual capacitor includes three fuses and three blown fuse indication lamps

240 Volt, 60 Hz – 3 phase

Enclosure size	kvar rating [®]	Qty / kvar	Approx. shipping weight (lbs.)	Enclosure type					
				Indoor – NEMA 1		Outdoor – NEMA 3R		Indoor – NEMA 12	
				Catalog number	List price	Catalog number	List price	Catalog number	List price
63	70	2/35	135	F246G70-3FI	Consult factory	F246R70-3FI	Consult factory	F246D70-3FI	Consult factory
	80	2/40	135	F246G80-3FI		F246R80-3FI		F246D80-3FI	
	90	2/45	135	F246G90-3FI		F246R90-3FI		F246D90-3FI	
	100	2/50	135	F246G100-3FI		F246R100-3FI		F246D100-3FI	
	110	2/55	135	F246G110-3FI		F246R110-3FI		F246D110-3FI	
	120	2/60	135	F246G120-3FI		F246R120-3FI		F246D120-3FI	
	130	1/40, 2/45	235	F246G130-3FI		F246R130-3FI		F246D130-3FI	
	150	3/50	235	F246G150-3FI		F246R150-3FI		F246D150-3FI	
	160	1/50, 3/55	155	F246G160-3FI		F246R160-3FI		F246D160-3FI	
	180	3/60	235	F246G180-3FI		F246R180-3FI		F246D180-3FI	
	200	4/50	310	F246G200-3FI		F246R200-3FI		F246D200-3FI	
	250	5/50	370	F246G250-3FI		F246R250-3FI		F246D250-3FI	
300	5/60	370	F246G300-3FI	F246R300-3FI	F246D300-3FI				

480 Volt, 60 Hz – 3 phase

Enclosure size	kvar rating [®]	Qty / kvar	Approx. shipping weight (lbs.)	Enclosure type					
				Indoor – NEMA 1		Outdoor – NEMA 3R		Indoor – NEMA 12	
				Catalog number	List price	Catalog number	List price	Catalog number	List price
63	125	1/55, 1/70	135	F486G125-3FI	Consult factory	F486R125-3FI	Consult factory	F486D125-3FI	Consult factory
	130	2/65	135	F486G130-3FI		F486R130-3FI		F486D130-3FI	
	140	2/70	135	F486G140-3FI		F486R140-3FI		F486D140-3FI	
	150	2/75	135	F486G150-3FI		F486R150-3FI		F486D150-3FI	
83	160	2/80	155	F488G160-3FI	Consult factory	F488R160-3FI	Consult factory	F488D160-3FI	Consult factory
	175	2/87.5	155	F488G175-3FI		F488R175-3FI		F488D175-3FI	
	180	2/90	155	F488G180-3FI		F488R180-3FI		F488D180-3FI	
	200	2/100	155	F488G200-3FI		F488R200-3FI		F488D200-3FI	
63	220	1/70, 2/75	200	F486G220-3FI	Consult factory	F486R220-3FI	Consult factory	F486D220-3FI	Consult factory
	225	3/75	200	F486G225-3FI		F486R225-3FI		F486D225-3FI	
83	240	3/80	235	F488G240-3FI	Consult factory	F488R240-3FI	Consult factory	F488D240-3FI	Consult factory
	250	1/90, 2/80	235	F488G250-3FI		F488R250-3FI		F488D250-3FI	
	260	2/90, 1/80	235	F488G260-3FI		F488R260-3FI		F488D260-3FI	
	280	1/100, 2/90	235	F488G280-3FI		F488R280-3FI		F488D280-3FI	
	300	3/100	235	F488G300-3FI		F488R300-3FI		F488D300-3FI	
	350	4/87.5	310	F488G350-3FI		F488R350-3FI		F488D350-3FI	
	360	4/90	310	F488G360-3FI		F488R360-3FI		F488D360-3FI	
	400	4/100	310	F488G400-3FI		F488R400-3FI		F488D400-3FI	
	450	5/90	370	F488G450-3FI		F488R450-3FI		F488D450-3FI	
	475	5/95	370	F488G475-3FI		F488R475-3FI		F488D475-3FI	
	500	5/100	370	F488G500-3FI		F488R500-3FI		F488D500-3FI	
	600	6/100	450	F488G600-3FI		F488R600-3FI		F488D600-3FI	

208 Volt availability

For 208 volt applications, derate the 240V capacitors. The kvar at 208V will be .75 times the kvar at 240V.

NOTE: ABB's patented IPE design eliminates the need for additional overcurrent protection when capacitors are electrically connected on the load side of a motor starter circuit breaker or fusible disconnect switch.

☒ For additional kvar ratings not listed above, please consult factory.

Fixed capacitor banks

3 phase, 600 Volt, 60 Hz

with three fuses and blown fuse indicators

600 volt, 60Hz – 3 phase

Enclosure size	kvar rating [Ⓞ]	Qty / kvar	Approx. shipping weight (lbs.)	Enclosure type					
				Indoor – NEMA 1		Outdoor – NEMA 3R		Indoor – NEMA 12	
				Catalog number	List price	Catalog number	List price	Catalog number	List price
63	160	2/80	155	F606G160-3FI	Consult factory	F606R160-3FI	Consult factory	F606D160-3FI	Consult factory
83	200	2/100	155	F608G200-3FI		F608R200-3FI		F608D200-3FI	
63	240	3/80	195	F606G240-3FI		F606R240-3FI		F606D240-3FI	
83	270	3/90	230	F608G270-3FI		F608R270-3FI		F608D270-3FI	
	300	3/100	230	F608G300-3FI		F608R300-3FI		F608D300-3FI	
63	320	4/80	250	F606G320-3FI		F606R320-3FI		F606D320-3FI	
83	350	4/87.5	275	F608G350-3FI		F608R350-3FI		F608D350-3FI	
	360	4/90	275	F608G360-3FI		F608R360-3FI		F608D360-3FI	
	400	4/100	275	F608G400-3FI		F608R400-3FI		F608D400-3FI	
	500	5/100	375	F608G500-3FI		F608R500-3FI		F608D500-3FI	
	600	6/100	450	F608G600-3FI	F608R600-3FI	F608D600-3FI			

Capacitor state indication system

240V kvar	480V & 600V kvar	Catalog number suffix	List price adder
90 – 120	125 – 200	-2LE	Consult factory
130 – 180	210 – 300		
200	320 – 400		
250 – 300	450 – 500		
–	600		

The capacitor state indication system consists of two yellow LED lights which illuminate only when the capacitor is energized and functioning at 65% or more of its rated kvar capacity.

The two light system will indicate a failure in any one of the three phases of the capacitor.

Wall mounting assemblies [Ⓞ]

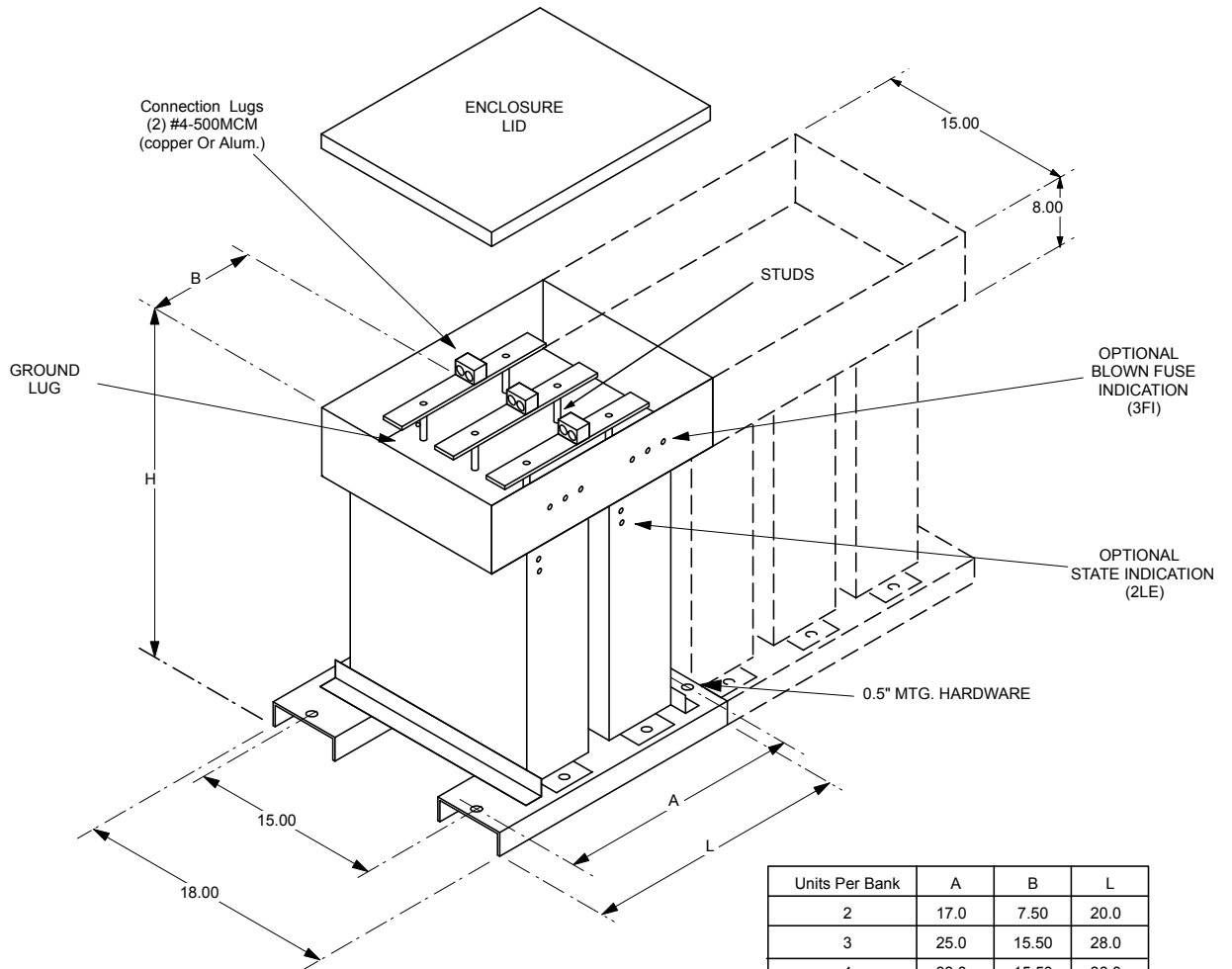
Type	Catalog number	List price adder
Wall mounting kit, 2 – 6 units per bank	FBWM	Consult factory

NOTE: ABB's patented IPE design eliminates the need for additional overcurrent protection when capacitors are electrically connected on the load side of a motor starter circuit breaker or fusible disconnect switch.

Approximate dimensions Fixed capacitor bank, floor mounted

Low Voltage
Network Quality

← 00.00 → Inches

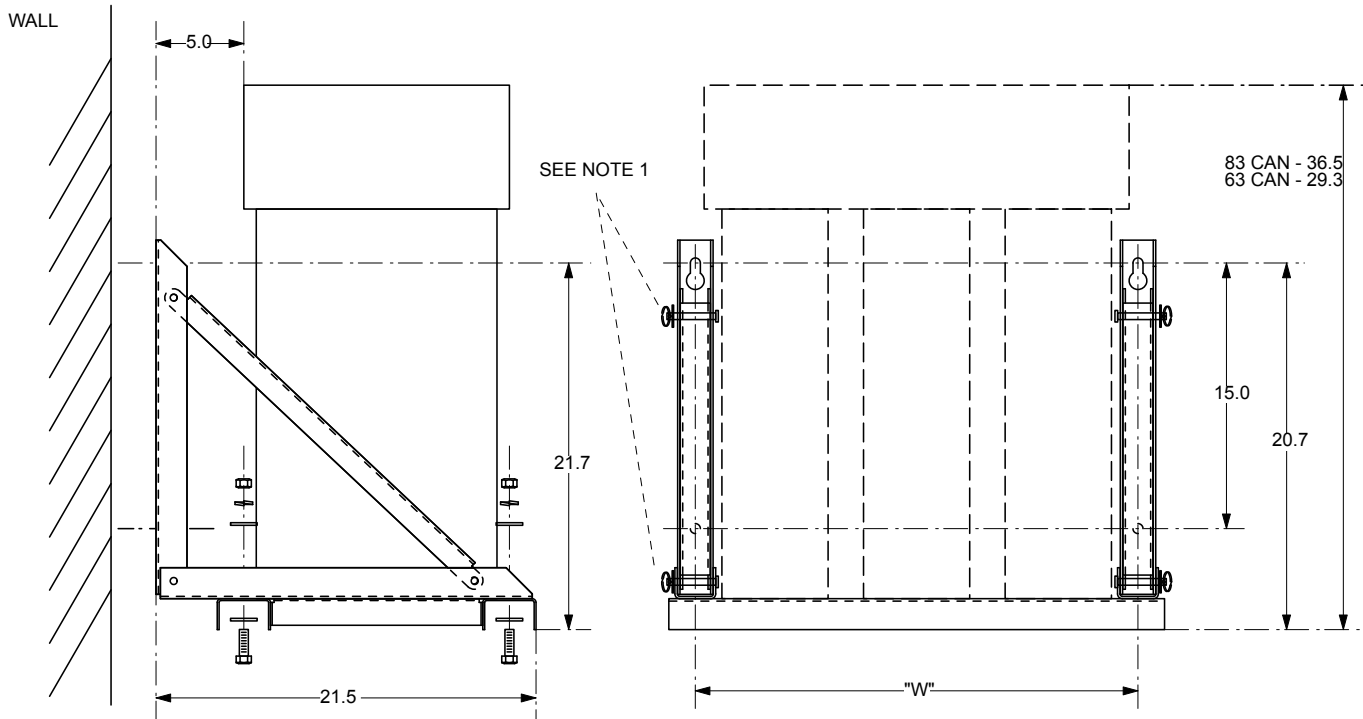


Units Per Bank	A	B	L
2	17.0	7.50	20.0
3	25.0	15.50	28.0
4	33.0	15.50	36.0
5	41.0	15.50	44.0
6	49.0	22.50	52.0

Unit Size	H
CLMD-53	22.50
CLMD-63	29.50
CLMD-83	36.50

Approximate dimensions Fixed bank, wall mounted

← 00.00 → Inches



NOTE 1: POSITION SPLIT RINGS TOWARD OUTSIDE OF BANK

NO. OF CAPS	MTG WIDTH "W"
2	17.0
3	25.0
4	33.0
5	41.0
6	49.0

MOUNT CAPACITOR ASSEMBLY TO WALL USING FOUR (4) 1/2" BOLTS. "KEY HOLE" MOUNTING HOLES ARE PROVIDED AT TOP OF MOUNTING BRACKETS.

WALL MOUNTING BRACKETS ARE ATTACHED TO FIXED BANK USING FOUR (4) 1/2-13 X 1.25" BOLTS AS SHOWN. TORQUE HARDWARE TO 50 LBS-FT.