



LVNQ
LOW VOLTAGE
NETWORK QUALITY



Individual & fixed bank Capacitors

Description

- **High reliability**
Well proven features of ABB dry type power factor correction capacitor technology are incorporated into individual and fixed bank designs.
- **Very low losses**
Capacitor total losses are less than 0.5 watts per kvar.
- **Discharge mechanism**
Carbon filament or wire-wound resistors sized to automatically discharge the capacitor to less than 50 volts in under one minute.
- **Tolerance on capacitance**
0%, +15%
- **Overcurrent tolerance**
135% of rated current, continuously
- **Overvoltage tolerance**
110% of rated voltage, continuously
- **Standard ambient temperature range**
-40°C to +40°C (-40°F to +104°F)
- **Internal cables and insulation**
All internal conductors utilize stranded, tin plated copper wire. Insulation is fire-retardant, rated 105°C (220°F).
- **Complete environmental acceptability**
ABB capacitors have a dry type dielectric with no free liquid and do not pose any risk of leakage or pollution of the environment. Therefore, employee safety training and maintenance of Material Safety Data Sheets are not required with these capacitors.
- **Unique sequential protection system**
Patented system ensures that each individual capacitor element is selectively and reliably disconnected from the circuit at the end of its life.

continued next page

General information

Catalog number explanation

Fuse protection

- ABB capacitors are provided with patented IPE (Internally Protected Elements) which is an integral and important part of the Sequential Protection System. Additional fuses are NOT required for protection of ABB capacitor elements, but external overcurrent protection may be needed for the installation in order to meet the National Electric Code requirements concerning protection of the conductors feeding the capacitors.

Long life

Low losses and the self-healing properties of ABB capacitor elements help to guarantee the long operating life of individual and fixed capacitor banks from ABB.

Safety

Vermiculite, a nonflammable and nontoxic material, safely absorbs any energy produced within the capacitor enclosure.

Approvals

- UL, CE and CSA approved
 - UL File #E135667
 - CSA File #LR88616
- Complies with applicable requirements of IEC, NEC®, NEMA CP-1, ANSI and IEEE std. 18.

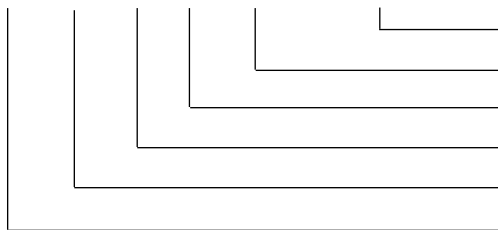
Factory modifications

- Mounting brackets
- Terminal connected fuses & blown fuse indication
- State indication

NOTE: National Electric Code® and NEC® are registered trademarks of the National Fire Protection Association, Inc., Quincy, MA 02269

C 48 4 G 2.5 - 2LF

Catalog number explanation



Factory modifications

kvar rating

Enclosure type – **G**=NEMA 1, **R**=NEMA 3R, **D**=NEMA 12

Enclosure size – **4**=43, **5**=53, **6**=63, **8**=83, **9**=93

Voltage – **20**=208V, **24**=240V, **48**=480V, **60**=600V

Capacitor type – **C**=Individual, **F**=Fixed bank, **P**=Pump jack

Individual capacitors

3 phase ①

240 Volt, 60 Hz



ABB's standard capacitor is suitable for general power factor correction applications, for connection directly at the reactive source.

Features include:

- Dry, environmentally safe construction
- Self healing capability
- Patented Internal Protected Elements
- NEMA 1, 3R, 12
- Easy electrical connection to large terminals
- Convenient grounding lug
- Mounting feet for easy installation
- Suitable for floor or wall mounting

240 Volt, 60 Hz – 3-Phase

Enclosure size	kvar rating	Rated current per phase (amps)	Approx. shipping weight (lbs.)	Enclosure type					
				Indoor – NEMA 1		Outdoor – NEMA 3R		Indoor – NEMA 12	
				Catalog number	List price	Catalog number	List price	Catalog number	List price
43	1	2.4	8	C244G1	\$ 268	C244R1	\$ 290	C244D1	\$ 290
	1.5	3.6	8	C244G1.5	278	C244R1.5	300	C244D1.5	300
	2	4.8	8	C244G2	288	C244R2	310	C244D2	310
	2.5	6.0	8	C244G2.5	322	C244R2.5	344	C244D2.5	344
	3	7.2	8	C244G3	336	C244R3	358	C244D3	358
	3.5	8.4	8	C244G3.5	354	C244R3.5	376	C244D3.5	376
	4	9.6	8	C244G4	386	C244R4	408	C244D4	408
	5	12.0	8	C244G5	406	C244R5	428	C244D5	428
	6	14.4	8	C244G6	450	C244R6	472	C244D6	472
	7	16.8	8	C244G7	514	C244R7	536	C244D7	536
	7.5	18.0	8	C244G7.5	526	C244R7.5	548	C244D7.5	548
	8	19.2	8	C244G8	536	C244R8	558	C244D8	558
	9	21.7	8	C244G9	556	C244R9	578	C244D9	578
	10	24.1	8	C244G10	578	C244R10	600	C244D10	600
	11	26.5	13	C244G11	610	C244R11	632	C244D11	632
	12	28.9	13	C244G12	664	C244R12	686	C244D12	686
	12.5	30.1	13	C244G12.5	684	C244R12.5	706	C244D12.5	706
	14	33.7	8	C244G14	706	C244R14	728	C244D14	728
	15	36.1	8	C244G15	750	C244R15	772	C244D15	772
	17	40.8	22	C244G17	814	C244R17	836	C244D17	836
20	48.1	22	C244G20	898	C244R20	920	C244D20	920	
53	22.5	54.1	23	C245G22.5	942	C245R22.5	966	C245D22.5	964
	25	60.1	23	C245G25	1006	C245R25	1,028	C245D25	1,028
	30	72.2	23	C245G30	1,114	C245R30	1,136	C245D30	1,136
	35	84.2	25	C245G35	1,220	C245R35	1,242	C245D35	1,242
	40	96.2	25	C245G40	1,392	C245R40	1,414	C245D40	1,414
63	45	108.3	34	C246G45	1,626	C246R45	1,650	C246D45	1,650
	50	120.3	34	C246G50	1,776	C246R50	1,798	C246D50	1,798
	55	132.3	37	C246G55	2,248	C246R55	2,270	C246D55	2,270
	60	144.3	37	C246G60	2,354	C246R60	2,376	C246D60	2,376
	70	168.4	39	C246G70	2,596	C246R70	2,618	C246D70	2,618
	80	192.6	43	C246G80	2,870	C246R80	2,892	C246D80	2,892

Capacitor state indication system

240V kvar	LEDs catalog number suffix	List price
1 – 15		\$ 182
17 – 30	-2LE	204
35 – 60	-2LF	226
70 – 80		450

The capacitor state indication system consists of two yellow LED lights which illuminate only when the capacitor is energized and functioning at 65% or more of its rated kvar capacity.

The two light system will indicate a failure in any one of the three phases of the capacitor.

208 Volt availability

For 208 volt applications, derate the 240V capacitors. The kvar at 208V will be .75 times the kvar at 240V.

NOTE: ABB's patented IPE design eliminates the need for additional overcurrent protection when capacitors are electrically connected on the load side of a motor starter circuit breaker or fusible disconnect switch.

Optional mounting for individual capacitors

Type	Enclosure sizes	Catalog number	List price
Wall mounting kit ②	43-93	WM83K	\$ 54
Rack mounting style enclosure	53-93	Catalog # suffix -RM	74

① For single phase capacitors, please consult your ABB representative.

② When the wall mounting kit is used with enclosure sizes 63, 83 & 93, it is recommended to order the rack style enclosure.

Individual capacitors

3-phase ①

480 Volt, 60 Hz

480 Volt, 60 Hz – 3-Phase

Enclosure size	kvar rating	Rated current per phase (amps)	Approx. shipping weight (lbs.)	Enclosure type					
				Indoor – NEMA 1		Outdoor – NEMA 3R		Indoor – NEMA 12	
				Catalog number	List price	Catalog number	List price	Catalog number	List price
43	1.5	1.8	8	C484G1.5	\$ 268	C484R1.5	\$ 290	C484D1.5	\$ 290
	2	2.4	8	C484G2	278	C484R2	300	C484D2	300
	2.5	3.0	8	C484G2.5	288	C484R2.5	310	C484D2.5	310
	3	3.6	8	C484G3	300	C484R3	322	C484D3	322
	4	4.8	8	C484G4	304	C484R4	326	C484D4	326
	5	6.0	8	C484G5	322	C484R5	344	C484D5	344
	6	7.2	8	C484G6	342	C484R6	364	C484D6	364
	7.5	9.0	8	C484G7.5	374	C484R7.5	396	C484D7.5	396
	8	9.6	8	C484G8	386	C484R8	408	C484D8	408
	9	10.8	8	C484G9	406	C484R9	428	C484D9	428
	10	12.0	8	C484G10	428	C484R10	450	C484D10	450
	12	14.4	13	C484G12	450	C484R12	472	C484D12	472
	12.5	15.0	13	C484G12.5	460	C484R12.5	482	C484D12.5	482
	13	15.6	13	C484G13	482	C484R13	504	C484D13	504
	13.5	16.2	13	C484G13.5	492	C484R13.5	514	C484D13.5	514
	14	16.8	8	C484G14	502	C484R14	524	C484D14	524
	15	18.0	8	C484G15	514	C484R15	536	C484D15	536
	16	19.2	13	C484G16	524	C484R16	546	C484D16	546
	17	20.4	13	C484G17	536	C484R17	558	C484D17	558
	17.5	21.0	13	C484G17.5	546	C484R17.5	568	C484D17.5	568
	18	21.7	13	C484G18	556	C484R18	578	C484D18	578
	19	22.8	13	C484G19	568	C484R19	590	C484D19	590
	20	24.1	13	C484G20	588	C484R20	610	C484D20	610
	21	25.3	13	C484G21	620	C484R21	642	C484D21	642
	22	26.5	13	C484G22	632	C484R22	654	C484D22	654
	22.5	27.1	13	C484G22.5	642	C484R22.5	664	C484D22.5	664
	24	28.9	13	C484G24	664	C484R24	686	C484D24	686
	25	30.1	13	C484G25	674	C484R25	696	C484D25	696
	27	32.5	13	C484G27	706	C484R27	728	C484D27	728
	30	36.1	13	C484G30	738	C484R30	760	C484D30	760
53	32.5	39.1	14	C485G32.5	738	C485R32.5	794	C485D32.5	794
	35	42.1	23	C485G35	824	C485R35	846	C485D35	846
	37.5	45.1	23	C485G37.5	856	C485R37.5	878	C485D37.5	878
	40	48.1	23	C485G40	888	C485R40	912	C485D40	912
	42.5	51.1	23	C485G42.5	920	C485R42.5	944	C485D42.5	944
	45	54.1	25	C485G45	952	C485R45	1,176	C485D45	1,176
	47.5	57.1	25	C485G47.5	974	C485R47.5	996	C485D47.5	996
	50	60.1	25	C485G50	984	C485R50	1,008	C485D50	1,008
63	52.5	63.1	37	C486G52.5	1,028	C486R52.5	1,050	C486D52.5	1,050
	55	66.2	37	C486G55	1,060	C486R55	1,082	C486D55	1,082
	57.5	69.2	37	C486G57.5	1,102	C486R57.5	1,124	C486D57.5	1,124
	60	72.2	37	C486G60	1,124	C486R60	1,146	C486D60	1,146
	62.5	75.2	37	C486G62.5	1,156	C486R62.5	1,178	C486D62.5	1,178
	65	78.2	37	C486G65	1,198	C486R65	1,220	C486D65	1,220
	70	84.2	39	C486G70	1,242	C486R70	1,264	C486D70	1,264
	75	90.2	39	C486G75	1,370	C486R75	1,392	C486D75	1,392
77.5	93.2	39	C486G77.5	1,456	C486R77.5	1,478	C486D77.5	1,478	
83	80	96.2	56	C488G80	1,498	C488R80	1,520	C488D80	1,520
	85	102.2	56	C488G85	1,584	C488R85	1,606	C488D85	1,606
	87.5	105.2	56	C488G87.5	1,670	C488R87.5	1,692	C488D87.5	1,692
	90	108.3	56	C488G90	1,744	C488R90	1,766	C488D90	1,766
	95	114.3	56	C488G95	1,808	C488R95	1,830	C488D95	1,830
	100	120.3	56	C488G100	1,840	C488R100	1,862	C488D100	1,862
	105	126.3	59	C488G105	2,060	C488R105	2,082	C488D105	2,082
	110	132.3	61	C488G110	2,066	C488R110	2,106	C488D110	2,186
	115	138.3	76	C488G115	2,210	C488R115	2,232	C488D115	2,232
	120	144.3	76	C488G120	2,256	C488R120	2,278	C488D120	2,278

Mounting options

For mounting options, see page 20.9. Base mounting is standard.

Capacitor state indication

See page 20.10.

NOTE: ABB's patented IPE design eliminates the need for additional overcurrent protection when capacitors are electrically connected on the load side of a motor starter circuit breaker or fusible disconnect switch.

① For single phase capacitors, please consult your ABB representative.

Individual capacitors

3 phase ①

600 Volt, 60 Hz

Low Voltage
Network Quality

600 Volt, 60 Hz – 3 phase

Enclosure size	kvar rating	Rated current per phase (amps)	Approx. shipping weight (lbs.)	Enclosure type					
				Indoor – NEMA 1		Outdoor – NEMA 3R		Indoor – NEMA 12	
				Catalog number	List price	Catalog number	List price	Catalog number	List price
43	2.2	1.9	8	C604G2.2	\$ 288	C604R2.2	\$ 310	C604D2.2	310
	3	2.9	8	C604G3	300	C604R3	322	C604D3	322
	4	3.8	8	C604G4	310	C604R4	332	C604D4	332
	5	4.8	8	C604G5	332	C604R5	354	C604D5	354
	7.5	7.2	8	C604G7.5	406	C604R7.5	428	C604D7.5	428
	10	9.6	8	C604G10	450	C604R10	472	C604D10	472
	14	13.5	8	C604G14	492	C604R14	514	C604D14	514
	15	14.4	8	C604G15	502	C604R15	524	C604D15	524
	17.5	16.8	13	C604G17.5	578	C604R17.5	600	C604D17.5	600
	20	19.2	13	C604G20	610	C604R20	632	C604D20	632
	25	24.1	13	C604G25	664	C604R25	686	C604D25	686
30	28.9	13	C604G30	728	C604R30	750	C604D30	750	
53	35	33.7	25	C605G35	834	C605R35	856	C605D35	856
	40	38.5	25	C605G40	898	C605R40	920	C605D40	920
	45	43.3	25	C605G45	984	C605R45	1,006	C605D45	1,006
	50	48.1	35	C605G50	1,070	C605R50	1,092	C605D50	1,092
63	60	57.7	37	C606G60	1,178	C606R60	1,200	C606D60	1,200
	70	67.4	39	C606G70	1,284	C606R70	1,306	C606D70	1,306
	75	72.2	39	C606G75	1,392	C606R75	1,414	C606D75	1,414
	80	77.0	39	C606G80	1,540	C606R80	1,562	C606D80	1,562
83	90	86.6	54	C608G90	1,754	C608R90	1,776	C608D90	1,776
	95	91.4	54	C608G95	1,820	C608R95	1,842	C608D95	1,842
	100	96.2	56	C608G100	1,926	C608R100	1,948	C608D100	1,948
	105	101.0	59	C608G105	1,984	C608R105	2,006	C608D105	2,006
	110	105.8	61	C608G110	2,100	C608R110	2,122	C608D110	2,122
	115	110.7	76	C608G115	2,148	C608R115	2,170	C608D115	2,170
	120	115.5	76	C608G120	2,184	C608R120	2,206	C608D120	2,206
	125	120.3	76	C608G125	2,550	C608R125	2,572	C608D125	2,572
	130	125.1	76	C608G130	2,684	C608R130	2,706	C608D130	2,706
	135	129.9	76	C608G135	2,710	C608R135	2,732	C608D135	2,732

Capacitor state indication system

480V & 600V kvar	LEDs catalog number suffix	List price
1 – 30		\$ 182
32.5 – 60	-2LE	204
62.5 – 100	-2LF	224
105 – 135		450

The capacitor state indication system consists of two yellow LED lights which illuminate only when the capacitor is energized and functioning at 65% or more of its rated kvar capacity.

The two light system will indicate a failure in any one of the three phases of the capacitor.

Mounting options

For mounting options, see page 20.9. Base mounting is standard.

NOTE: ABB's patented IPE design eliminates the need for additional overcurrent protection when capacitors are electrically connected on the load side of a motor starter circuit breaker or fusible disconnect switch.

① For single phase capacitors, please consult your ABB representative

Individual capacitors with fuses and blown fuse indicators, 3 phase 240 Volt, 60 Hz



ABB low voltage capacitors are fully protected by the three levels of protection offered by the patented Sequential Protection System which includes dry self-healing capacitors, internally protected elements and the dry non-flammable vermiculite filler. However, some users have traditionally requested external fuses and blown fuse indicators, so these modified units are offered for those applications.

Features include:

- Dry, environmentally safe construction
- Self healing capability
- Patented Internal Protected Elements
- NEMA 1, 3R, 12
- Easy electrical connection to large terminals
- Convenient grounding lug
- Mounting feet for easy installation
- Suitable for floor or wall mounting
- Includes three fuses and three blown fuse indication lamps

240 Volt, 60 Hz — 3 phase

Enclosure size	kvar rating	Rated current per phase (amps)	Fuse amps/type	Approx. shipping weight (lbs.)	Enclosure type					
					Indoor – NEMA 1		Outdoor – NEMA 3R		Indoor – NEMA 12	
					Catalog number	List price	Catalog number	List price	Catalog number	List price
43	1	2.4	6/CC	8	C244G1-3FI	\$ 406	C244R1-3FI	\$ 428	C244D1-3FI	\$ 428
	1.5	3.6	10/CC	8	C244G1.5-3FI	438	C244R1.5-3FI	460	C244D1.5-3FI	460
	2	4.8	12/CC	8	C244G2-3FI	450	C244R2-3FI	472	C244D2-3FI	472
	2.5	6.0	15/CC	8	C244G2.5-3FI	460	C244R2.5-3FI	482	C244D2.5-3FI	482
	3	7.2	20/CC	8	C244G3-3FI	470	C244R3-3FI	492	C244D3-3FI	492
	3.5	8.4	20/CC	8	C244G3.5-3FI	492	C244R3.5-3FI	514	C244D3.5-3FI	514
	4	9.6	25/CC	8	C244G4-3FI	536	C244R4-3FI	558	C244D4-3FI	558
	5	12.0	30/CC	8	C244G5-3FI	578	C244R5-3FI	600	C244D5-3FI	600
	6	14.4	45/T	8	C244G6-3FI	600	C244R6-3FI	622	C244D6-3FI	622
	7	16.8	50/T	8	C244G7-3FI	642	C244R7-3FI	664	C244D7-3FI	664
	7.5	18.0	60/T	8	C244G7.5-3FI	664	C244R7.5-3FI	686	C244D7.5-3FI	686
	8	19.2	60/T	8	C244G8-3FI	706	C244R8-3FI	728	C244D8-3FI	728
	9	21.7	50/KGJ	14	C245G9-3FI	750	C245R9-3FI	772	C245D9-3FI	772
	10	24.1	50/KGJ	14	C245G10-3FI	792	C245R10-3FI	814	C245D10-3FI	814
11	26.5	60/KGJ	14	C245G11-3FI	834	C245R11-3FI	856	C245D11-3FI	856	
12	28.9	60/KGJ	14	C245G12-3FI	898	C245R12-3FI	920	C245D12-3FI	920	
12.5	30.1	60/KGJ	14	C245G12.5-3FI	942	C245R12.5-3FI	964	C245D12.5-3FI	964	
14	33.7	75/KGJ	14	C245G14-3FI	984	C245R14-3FI	1,006	C245D14-3FI	1,006	
53	15	36.1	80/KGJ	14	C246G15-3FI	1,006	C246R15-3FI	1,028	C246D15-3FI	1,028
	17	40.9	80/KGJ	23	C246G17-3FI	1,112	C246R17-3FI	1,134	C246D17-3FI	1,134
	20	48.1	125/KGJ	23	C246G20-3FI	1,178	C246R20-3FI	1,200	C246D20-3FI	1,200
	22.5	54.2	125/KGJ	23	C246G22.5-3FI	1,284	C246R22.5-3FI	1,306	C246D22.5-3FI	1,306
	25	60.1	150/KGJ	23	C246G25-3FI	1,392	C246R25-3FI	1,414	C246D25-3FI	1,414
	30	72.2	175/KGJ	23	C246G30-3FI	1,606	C246R30-3FI	1,628	C246D30-3FI	1,628
	35	84.2	200/KGJ	23	C246G35-3FI	1,766	C246R35-3FI	1,788	C246D35-3FI	1,788
	40	96.2	225/KGJ	25	C246G40-3FI	2,034	C246R40-3FI	2,056	C246D40-3FI	2,056
63	45	108.3	250/KGJ	34	C248G45-3FI	2,248	C248R45-3FI	2,270	C248D45-3FI	2,270
	50	120.3	250/KGJ	34	C248G50-3FI	2,462	C248R50-3FI	2,484	C248D50-3FI	2,484
	55	132	250/KGJ	37	C248G55-3FI	2,622	C248R55-3FI	2,644	C248D55-3FI	2,644
	60	144.3	250/KGJ	37	C248G60-3FI	2,836	C248R60-3FI	2,858	C248D60-3FI	2,858

208 Volt availability

For 208 volt applications, derate the 240V capacitors. The kvar at 208V will be .75 times the kvar at 240V.

NOTE: ABB's patented IPE design eliminates the need for additional

overcurrent protection when capacitors are electrically connected on the load side of a motor starter circuit breaker or fusible disconnect switch.

Optional mounting for individual capacitors

Type	Enclosure sizes	Catalog number	List price
Wall mounting kit ②	43-93	WM83K	\$ 54
Rack mounting style enclosure	53-93	Catalog # suffix -RM	74

② When the wall mounting kit is used with enclosure sizes 63, 83 & 93, it is recommended to order the rack style enclosure.

Individual capacitors with fuses and blown fuse indicators, 3 phase 480 Volt, 60 Hz

**Low Voltage
Network Quality**

480 Volt, 60 Hz – 3 phase

Enclosure size	kvar rating	Rated current per phase (amps)	Fuse amps/type	Approx. shipping weight (lbs.)	Enclosure type					
					Indoor – NEMA 1		Outdoor – NEMA 3R		Indoor – NEMA 12	
					Catalog number	List price	Catalog number	List price	Catalog number	List price
43	1.5	1.8	5/CC	8	C484G1.5-3FI	\$ 418	C484R1.5-3FI	\$ 440	C484D1.5-3FI	\$ 440
	2	2.4	6/CC	8	C484G2-3FI	422	C484R2-3FI	444	C484D2-3FI	444
	2.5	3.0	8/CC	8	C484G2.5-3FI	428	C484R2.5-3FI	450	C484D2.5-3FI	450
	3	3.6	10/CC	8	C484G3-3FI	432	C484R3-3FI	454	C484D3-3FI	454
	4	4.8	12/CC	8	C484G4-3FI	438	C484R4-3FI	460	C484D4-3FI	460
	5	6.0	15/CC	8	C484G5-3FI	442	C484R5-3FI	464	C484D5-3FI	464
	6	7.2	20/CC	8	C484G6-3FI	460	C484R6-3FI	482	C484D6-3FI	482
	7.5	9.0	25/CC	8	C484G7.5-3FI	514	C484R7.5-3FI	536	C484D7.5-3FI	536
	8	9.6	25/CC	8	C484G8-3FI	546	C484R8-3FI	568	C484D8-3FI	568
	9	10.8	30/CC	8	C484G9-3FI	568	C484R9-3FI	590	C484D9-3FI	590
	10	12.0	30/CC	8	C484G10-3FI	588	C484R10-3FI	610	C484D10-3FI	610
	12	14.4	45/T	13	C484G12-3FI	600	C484R12-3FI	622	C484D12-3FI	622
	12.5	15.0	45/T	13	C484G12.5-3FI	610	C484R12.5-3FI	632	C484D12.5-3FI	632
	13	15.6	50/T	13	C484G13-3FI	620	C484R13-3FI	642	C484D13-3FI	642
	13.5	16.2	50/T	13	C484G13.5-3FI	624	C484R13.5-3FI	646	C484D13.5-3FI	646
	14	16.8	50/T	8	C484G14-3FI	632	C484R14-3FI	654	C484D14-3FI	654
15	18.0	60/T	8	C484G15-3FI	652	C484R15-3FI	674	C484D15-3FI	674	
16	19.2	60/T	13	C484G16-3FI	664	C484R16-3FI	686	C484D16-3FI	686	
53	17	20.4	50/KGJ	14	C485G17-3FI	684	C485R17-3FI	706	C485D17-3FI	706
	17.5	21.0	50/KGJ	14	C485G17.5-3FI	706	C485R17.5-3FI	728	C485D17.5-3FI	728
	18	21.7	50/KGJ	14	C485G18-3FI	728	C485R18-3FI	750	C485D18-3FI	750
	19	22.8	50/KGJ	14	C485G19-3FI	750	C485R19-3FI	772	C485D19-3FI	772
	20	24.1	50/KGJ	14	C485G20-3FI	770	C485R20-3FI	792	C485D20-3FI	792
	21	25.3	60/KGJ	14	C485G21-3FI	782	C485R21-3FI	804	C485D21-3FI	804
	22	26.5	60/KGJ	14	C485G22-3FI	792	C485R22-3FI	814	C485D22-3FI	814
	22.5	27.1	60/KGJ	14	C485G22.5-3FI	814	C485R22.5-3FI	836	C485D22.5-3FI	836
	24	28.9	60/KGJ	14	C485G24-3FI	834	C485R24-3FI	856	C485D24-3FI	856
	25	30.1	75/KGJ	14	C485G25-3FI	856	C485R25-3FI	878	C485D25-3FI	878
27	32.5	75/KGJ	14	C485G27-3FI	898	C485R27-3FI	920	C485D27-3FI	920	
63	30	36.1	80/KGJ	14	C486G30-3FI	964	C486R30-3FI	986	C486D30-3FI	986
	32.5	39.1	100/KGJ	14	C486G32.5-3FI	1,016	C486R32.5-3FI	1,038	C486D32.5-3FI	1,038
	35	42.1	100/KGJ	23	C486G35-3FI	1,070	C486R35-3FI	1,092	C486D35-3FI	1,092
	37.5	45.1	100/KGJ	23	C486G37.5-3FI	1,092	C486R37.5-3FI	1,114	C486D37.5-3FI	1,114
	40	48.1	125/KGJ	23	C486G40-3FI	1,112	C486R40-3FI	1,134	C486D40-3FI	1,134
	42.5	51.1	125/KGJ	23	C486G42.5-3FI	1,178	C486R42.5-3FI	1,200	C486D42.5-3FI	1,200
	45	54.1	125/KGJ	25	C486G45-3FI	1,242	C486R45-3FI	1,264	C486D45-3FI	1,264
	47.5	57.1	125/KGJ	25	C486G47.5-3FI	1,284	C486R47.5-3FI	1,306	C486D47.5-3FI	1,306
	50	60.1	150/KGJ	25	C486G50-3FI	1,326	C486R50-3FI	1,348	C486D50-3FI	1,348
	83	52.5	63.1	150/KGJ	37	C488G52.5-3FI	1,370	C488R52.5-3FI	1,392	C488D52.5-3FI
55		66.2	150/KGJ	37	C488G55-3FI	1,412	C488R55-3FI	1,434	C488D55-3FI	1,434
57.5		69.2	150/KGJ	37	C488G57.5-3FI	1,456	C488R57.5-3FI	1,478	C488D57.5-3FI	1,478
60		72.2	175/KGJ	37	C488G60-3FI	1,476	C488R60-3FI	1,498	C488D60-3FI	1,498
62.5		75.2	175/KGJ	37	C488G62.5-3FI	1,530	C488R62.5-3FI	1,552	C488D62.5-3FI	1,552
65		78.2	175/KGJ	37	C488G65-3FI	1,540	C488R65-3FI	1,562	C488D65-3FI	1,562
70		84.2	200/KGJ	39	C488G70-3FI	1,584	C488R70-3FI	1,606	C488D70-3FI	1,606
75		90.2	200/KGJ	41	C488G75-3FI	1,626	C488R75-3FI	1,648	C488D75-3FI	1,648
77.5	93.2	200/KGJ	41	C488G77.5-3FI	1,658	C488R77.5-3FI	1,680	C488D77.5-3FI	1,680	
93	80	96.2	225/KGJ	56	C489G80-3FI	1,712	C489R80-3FI	1,734	C489D80-3FI	1,734
	85	102.2	225/KGJ	56	C489G85-3FI	1,820	C489R85-3FI	1,842	C489D85-3FI	1,842
	87.5	105.2	225/KGJ	56	C489G87.5-3FI	1,872	C489R87.5-3FI	1,896	C489D87.5-3FI	1,896
	90	108.3	225/KGJ	56	C489G90-3FI	1,926	C489R90-3FI	1,948	C489D90-3FI	1,948
	95	114.3	250/KGJ	56	C489G95-3FI	2,000	C489R95-3FI	2,024	C489D95-3FI	2,024
	100	120.3	250/KGJ	56	C489G100-3FI	2,066	C489R100-3FI	2,088	C489D100-3FI	2,088
	105	126.3	250/KGJ	59	C489G105-3FI	2,752	C489R105-3FI	2,774	C489D105-3FI	2,774
	110	132.3	250/KGJ	61	C489G110-3FI	2,820	C489R110-3FI	2,842	C489D110-3FI	2,842
	115	138.3	250/KGJ	76	C489G115-3FI	2,902	C489R115-3FI	2,924	C489D115-3FI	2,924
	120	144.3	300/KGJ	76	C489G120-3FI	2,990	C489R120-3FI	3,012	C489D120-3FI	3,012

NOTE: ABB's patented IPE design eliminates the need for additional overcurrent protection when capacitors are electrically connected on the load side of a motor starter circuit breaker or fusible disconnect switch.

Mounting options

For mounting options, see page 20.12. Base mounting is standard.

Individual capacitors with fuses and blown fuse indicators, 3 phase 600 Volt, 60 Hz

600 Volt, 60 Hz – 3 phase

Enclosure size	kvar rating	Rated current per phase (amps)	Fuse amps/type	Approx. shipping weight (lbs.)	Enclosure type					
					Indoor – NEMA 1		Outdoor – NEMA 3R		Indoor – NEMA 12	
					Catalog number	List price	Catalog number	List price	Catalog number	List price
43	2.2	2.1	6/CC	8	C604G2.2-3FI	\$ 450	C604R2.2-3FI	\$ 472	C604D2.2-3FI	\$ 472
	3	2.9	8/CC	8	C604G3-3FI	460	C604R3-3FI	482	C604D3-3FI	482
	4	3.8	10/CC	8	C604G4-3FI	470	C604R4-3FI	492	C604D4-3FI	492
	5	4.8	12/CC	8	C604G5-3FI	492	C604R5-3FI	514	C604D5-3FI	514
	7.5	7.2	20/CC	8	C604G7.5-3FI	556	C604R7.5-3FI	578	C604D7.5-3FI	578
	10	9.6	25/CC	8	C604G10-3FI	600	C604R10-3FI	622	C604D10-3FI	622
	14	13.5	40/T	13	C604G14-3FI	642	C604R14-3FI	664	C604D14-3FI	664
	15	14.4	45/T	13	C604G15-3FI	664	C604R15-3FI	686	C604D15-3FI	686
	17.5	16.8	50/T	13	C604G17.5-3FI	750	C604R17.5-3FI	772	C604D17.5-3FI	772
	20	19.2	60/T	13	C604G20-3FI	856	C604R20-3FI	878	C604D20-3FI	878
53	25	24.1	50/KGJ	14	C605G25-3FI	898	C605R25-3FI	920	C605D25-3FI	920
	30	28.9	60/KGJ	14	C605G30-3FI	1,006	C605R30-3FI	1,028	C605D30-3FI	1,028
63	35	33.7	75/KGJ	25	C606G35-3FI	1,112	C606R35-3FI	1,134	C606D35-3FI	1,134
	40	38.5	80/KGJ	25	C606G40-3FI	1,230	C606R40-3FI	1,252	C606D40-3FI	1,252
	45	43.3	100/KGJ	25	C606G45-3FI	1,284	C606R45-3FI	1,306	C606D45-3FI	1,306
	50	48.1	125/KGJ	35	C606G50-3FI	1,392	C606R50-3FI	1,414	C606D50-3FI	1,414
83	60	57.7	125/KGJ	37	C608G60-3FI	1,498	C608R60-3FI	1,520	C608D60-3FI	1,520
	70	67.4	150/KGJ	39	C608G70-3FI	1,606	C608R70-3FI	1,628	C608D70-3FI	1,628
	75	72.3	175/KGJ	39	C608G75-3FI	1,658	C608R75-3FI	1,680	C608D75-3FI	1,680
	80	77.0	175/KGJ	39	C608G80-3FI	1,820	C608R80-3FI	1,842	C608D80-3FI	1,842
93	90	86.6	200/KGJ	56	C609G90-3FI	2,000	C609R90-3FI	2,022	C609D90-3FI	2,022
	95	91.4	200/KGJ	56	C609G95-3FI	2,044	C609R95-3FI	2,066	C609D95-3FI	2,066
	100	96.2	225/KGJ	56	C609G100-3FI	2,086	C609R100-3FI	2,108	C609D100-3FI	2,108
	105	101.0	250/KGJ	59	C609G105-3FI	2,842	C609R105-3FI	2,864	C609D105-3FI	2,864
	110	105.8	250/KGJ	61	C609G110-3FI	2,922	C609R110-3FI	2,944	C609D110-3FI	2,944
	115	110.7	250/KGJ	76	C609G115-3FI	3,020	C609R115-3FI	3,042	C609D115-3FI	3,042
	120	115.5	250/KGJ	76	C609G120-3FI	3,096	C609R120-3FI	3,118	C609D120-3FI	3,118
	125	120.3	250/KGJ	76	C609G125-3FI	3,376	C609R125-3FI	3,398	C609D125-3FI	3,398
	130	125.1	250/KGJ	76	C609G130-3FI	3,516	C609R130-3FI	3,538	C609D130-3FI	3,538
	135	129.1	250/KGJ	76	C609G135-3FI	3,548	C609R135-3FI	3,570	C609D135-3FI	3,570

NOTE: ABB's patented IPE design eliminates the need for additional overcurrent protection when capacitors are electrically connected on the load side of a motor starter circuit breaker or fusible disconnect switch.

Mounting options

For mounting options, see page 20.12. Base mounting is standard.

Individual capacitors Pump jack 240 & 480 Volt, 60 Hz



The CLMD-PJ capacitor is ideally suited for oil-field pumping units and other outdoor applications. Standard features include:

- Outdoor, weatherproof enclosure
- 4 feet of 10 gauge, 4-conductor wire for ease of installation
- Convenient pole-mounting design
- Lightweight, totally dry construction

Steel enclosure – 240 Volt, 60 Hz, 3 phase

Enclosure size	kvar rating	Approx. weight (lbs.)	Catalog number	List price
43	2.5	8	P244R2.5	\$ 438
	3.5	8	P244R3.5	482
	5	8	P244R5	566
	10	8	P244R10	610
	12.5	13	P244R12.5	728
	14	8	P244R14	824
	15	8	P244R15	866

208 Volt availability

For 208 volt applications, derate the 240V capacitors. The kvar at 208V will be .75 times the kvar at 240V.

Steel enclosure – 480 Volt, 60 Hz, 3 phase

Enclosure size	kvar rating	Approx. weight (lbs.)	Catalog number	List price
43	1.5	8	P484R1.5	\$ 386
	2	8	P484R2	396
	3	8	P484R3	418
	4	8	P484R4	438
	5	8	P484R5	460
	6	8	P484R6	482
	7.5	8	P484R7.5	492
	10	8	P484R10	514
	15	8	P484R15	578
	20	13	P484R20	738
	21	13	P484R21	760
	22.5	13	P484R22.5	802
	25	13	P484R25	846
	27	13	P484R27	888
	30	13	P484R30	952

NOTE: ABB's patented IPE design eliminates the need for additional overcurrent protection when capacitors are electrically connected on the load side of a motor starter circuit breaker or fusible disconnect switch.

Individual capacitors

Type CLMD-13

208, 240, 480 & 600 Volt, 60 Hz



The CLMD-13 capacitor is ideally suited for use in motor control centers, control panels and other indoor applications. Standard features include:

- Indoor, steel enclosure
- Easy electrical connection by means of a terminal block mounted on top of the capacitor enclosure (#4 — #18GA)
- Convenient ground lug mounted on top of the capacitor enclosure
- Mounting feet for easy installation
- Lightweight, small dimensions, totally dry construction
- Options and accessories include remote state indication

208 Volt, 60 Hz, 3 phase

Enclosure size	kvar rating	Rated current per phase (amps)	Approx. shipping weight (lbs)	Enclosure type	
				Indoor — NEMA 1	
				Catalog number	List price
13	0.8	2.2	6	C201G0.8	\$ 246
	1.1	3.1	6	C201G1.1	256
	2	5.6	6	C201G2	300
	2.5	6.9	6	C201G2.5	322
	3	8.3	6	C201G3	354
	4	11.1	6	C201G4	396
	5	13.9	6	C201G5	482
	7.5	20.8	6	C201G7.5	546

600 Volt, 60 Hz, 3 phase

Enclosure size	kvar rating	Rated current per phase (amps)	Approx. shipping weight (lbs)	Enclosure type	
				Indoor — NEMA 1	
				Catalog number	List price
13	2	1.9	6	C601G2	\$ 288
	3	2.9	6	C601G3	300
	4	3.8	6	C601G4	312
	5	4.8	6	C601G5	332
	7.5	7.2	6	C601G7.5	354
	10	9.6	6	C601G10	386
	15	14.4	6	C601G15	438

240 Volt, 60 Hz, 3 phase

Enclosure size	kvar rating	Rated current per phase (amps)	Approx. shipping weight (lbs)	Enclosure type	
				Indoor — NEMA 1	
				Catalog number	List price
13	1	2.4	6	C241G1	\$ 236
	1.5	3.6	6	C241G1.5	246
	2	4.8	6	C241G2	256
	2.5	6.0	6	C241G2.5	288
	3.5	8.4	6	C241G3.5	322
	5	12.0	6	C241G5	342
	7.5	18.0	6	C241G7.5	438
	10	24.1	6	C241G10	514

Options

Type	Catalog number suffix ①	List price adder
Remote state indication two LEDs	-2L	\$ 130

NOTE: ABB's patented IPE design eliminates the need for additional overcurrent protection when capacitors are electrically connected on the load side of a motor starter circuit breaker or fusible disconnect switch.

480 Volt, 60 Hz, 3 phase

Enclosure size	kvar rating	Rated current per phase (amps)	Approx. shipping weight (lbs)	Enclosure type	
				Indoor — NEMA 1	
				Catalog number	List price
13	0.9	1.1	6	C481G0.9	\$ 236
	1.5	1.8	6	C481G1.5	256
	2	2.4	6	C481G2	268
	2.5	3.0	6	C481G2.5	278
	3.5	4.2	6	C481G3.5	310
	4	4.8	6	C481G4	314
	5	6.0	6	C481G5	332
	6	7.2	6	C481G6	342
	7.5	9.0	6	C481G7.5	354
	8	9.6	6	C481G8	364
	9	10.8	6	C481G9	374
	10	12.0	6	C481G10	386
	14	16.8	6	C481G14	406
	15	18.0	6	C481G15	428
	17	20.4	6	C481G17	450

① Add suffix to end of catalog number.

Individual capacitors Type CLMD-13SC, Stud connected 208, 240, 480 & 600 Volt, 60 Hz



The CLMD-13SC (Stud Connected) capacitor is ideally suited for use in motor control centers, control panels and other indoor applications. Standard features include:

- Indoor, steel enclosure with cover
- Three stud terminals for electrical connection or capacitor parallel bus bar connection
- Mounting feet for easy capacitor installation
- Lightweight, small dimensions, totally dry construction

208 Volt, 60 Hz, 3 phase

Enclosure size	kvar rating	Rated current per phase (amps)	Approx. shipping weight (lbs)	Enclosure type	
				Indoor — NEMA 1	
				Catalog number	List price
13	0.8	2.2	6	C201G0.8SC	\$ 272
	1.1	3.1	6	C201G1.1SC	282
	2	5.6	6	C201G2SC	304
	2.5	6.9	6	C201G2.5SC	326
	3	8.3	6	C201G3SC	358
	4	11.1	6	C201G4SC	422
	5	13.9	6	C201G5SC	508
	7.5	20.8	6	C201G7.5SC	572

600 Volt, 60 Hz, 3 phase

Enclosure size	kvar rating	Rated current per phase (amps)	Approx. shipping weight (lbs)	Enclosure type	
				Indoor — NEMA 1	
				Catalog number	List price
13	2	1.9	6	C601G2SC	\$ 294
	3	2.9	6	C601G3SC	326
	4	3.8	6	C601G4SC	336
	5	4.8	6	C601G5SC	358
	7.5	7.2	6	C601G7.5SC	378
	10	9.6	6	C601G10SC	410
	15	14.4	6	C601G15SC	464

NOTE: ABB's patented IPE design eliminates the need for additional overcurrent protection when capacitors are electrically connected on the load side of a motor starter circuit breaker or fusible disconnect switch.

240 Volt, 60 Hz, 3 phase

Enclosure size	kvar rating	Rated current per phase (amps)	Approx. shipping weight (lbs)	Enclosure type	
				Indoor — NEMA 1	
				Catalog number	List price
13	1	2.4	6	C241G1SC	\$ 260
	1.5	3.6	6	C241G1.5SC	294
	2	4.8	6	C241G2SC	282
	2.5	6.0	6	C241G2.5SC	314
	3.5	8.4	6	C241G3.5SC	346
	5	12.0	6	C241G5SC	368
	7.5	18.0	6	C241G7.5SC	464
	10	24.1	6	C241G10SC	540

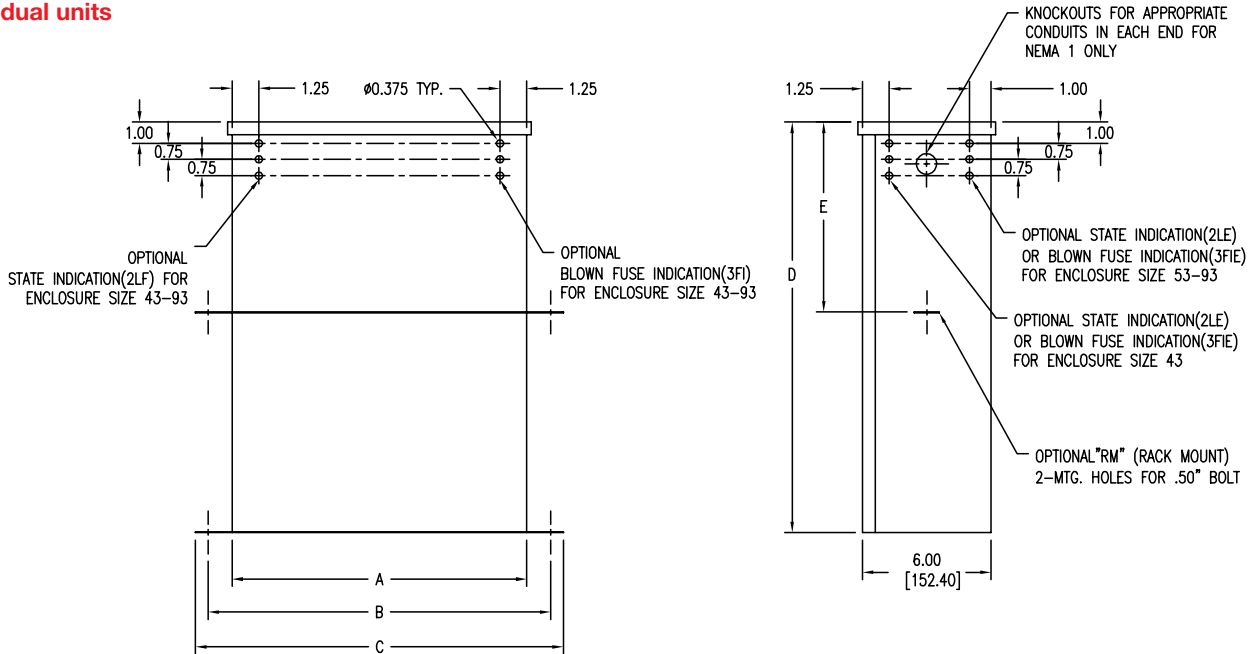
480 Volt, 60 Hz, 3 phase

Enclosure size	kvar rating	Rated current per phase (amps)	Approx. shipping weight (lbs)	Enclosure type	
				Indoor — NEMA 1	
				Catalog number	List price
13	0.9	1.1	6	C481G0.9SC	\$ 260
	1.5	1.8	6	C481G1.5SC	282
	2	2.4	6	C481G2SC	294
	2.5	3.0	6	C481G2.5SC	304
	3.5	4.2	6	C481G3.5SC	336
	4	4.8	6	C481G4SC	340
	5	6.0	6	C481G5SC	358
	6	7.2	6	C481G6SC	368
	7.5	9.0	6	C481G7.5SC	378
	8	9.6	6	C481G8SC	390
	9	10.8	6	C481G9SC	400
	10	12.0	6	C481G10SC	410
	14	16.8	6	C481G14SC	432
	15	18.0	6	C481G15SC	454
	17	20.4	6	C481G17SC	476

Approximate dimensions Individual capacitors

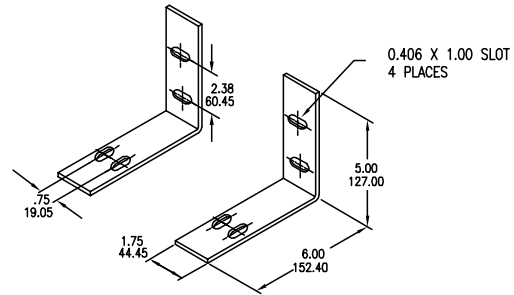
← 00.00 → Inches

Individual units

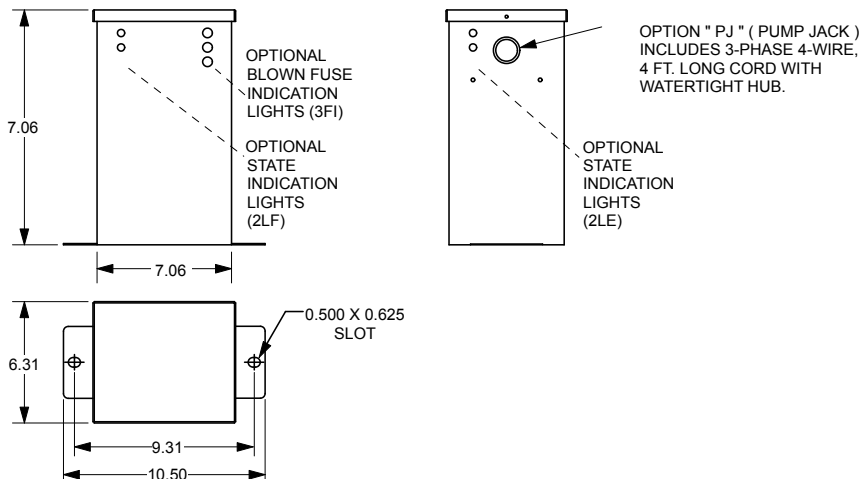


ENCLOSURE SIZE	INDIVIDUAL CAPACITOR UNITS				CONDUIT KNOCKOUT SIZES	RM E
	A	B	C	D		
43	7.06 179.0	9.31 236.5	10.50 267.0	10.93 278.0	.50 - .75 12.7 - 19.0	N/A
53	13.75 349.0	16.00 406.0	17.18 436.0	12.31 312.0	.75 - 1.0 19.05 - 25.4	5.00 127.0
63	13.75 349.0	16.00 406.0	17.18 436.0	19.18 487.0	1.0 - 1.25 25.4 - 31.75	8.87 225.0
83	13.75 349.0	16.00 406.0	17.18 436.0	26.56 675.0	1.25 - 1.50 31.75 - 38.0	8.87 225.0
93	13.75 349.0	16.00 406.0	17.18 436.0	30.56 776.0	-	8.87 225.0

WALL MOUNTING BRACKET KIT (WM83K)
FOR ENCLOSURE SIZES 43, 53, 63, 83, 93



Pump jack capacitor – Steel, enclosure size 43

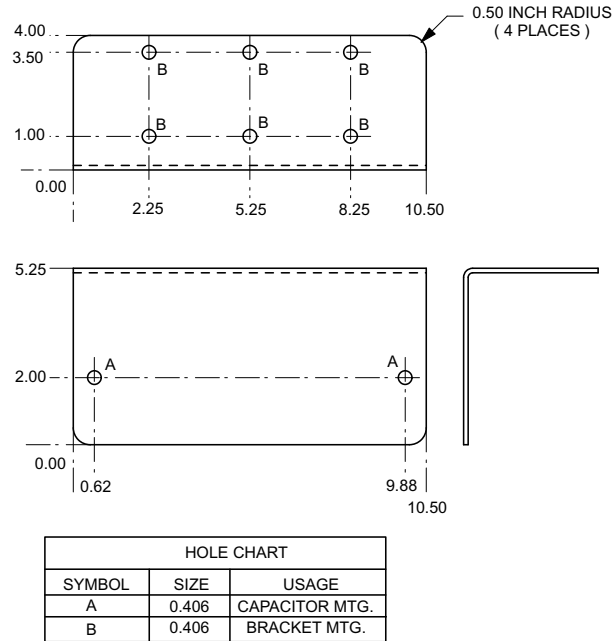


20

Approximate dimensions Individual capacitors

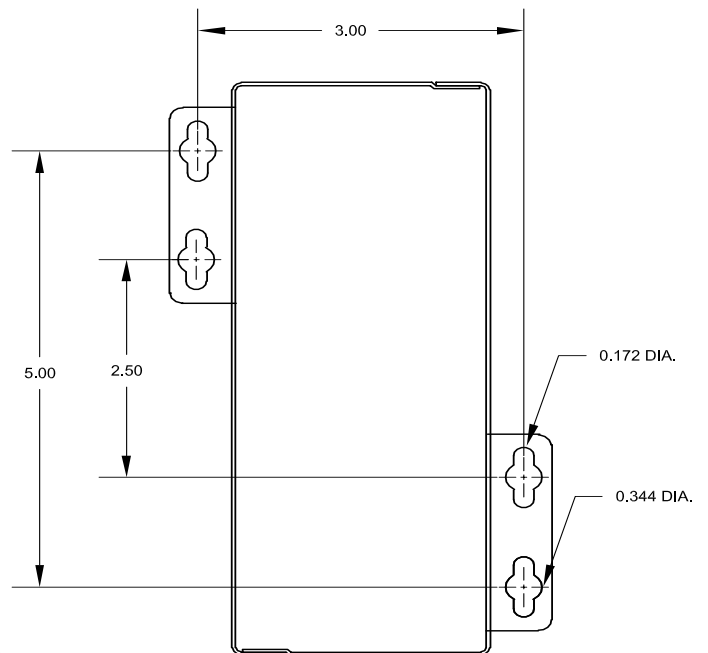
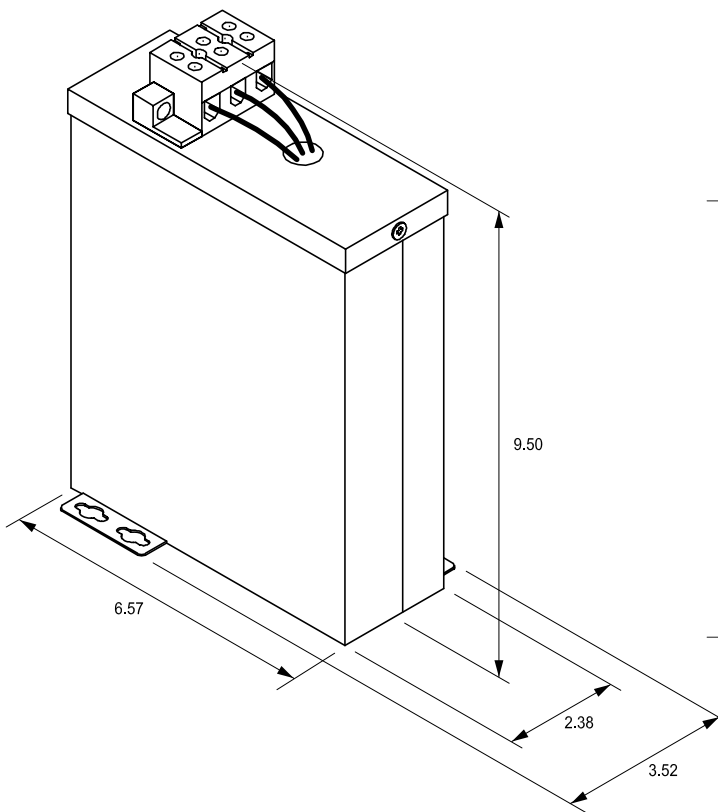
← 00.00 → Inches

Pole mounting bracket for "PJ" (pump jack) capacitors



CLMD-13

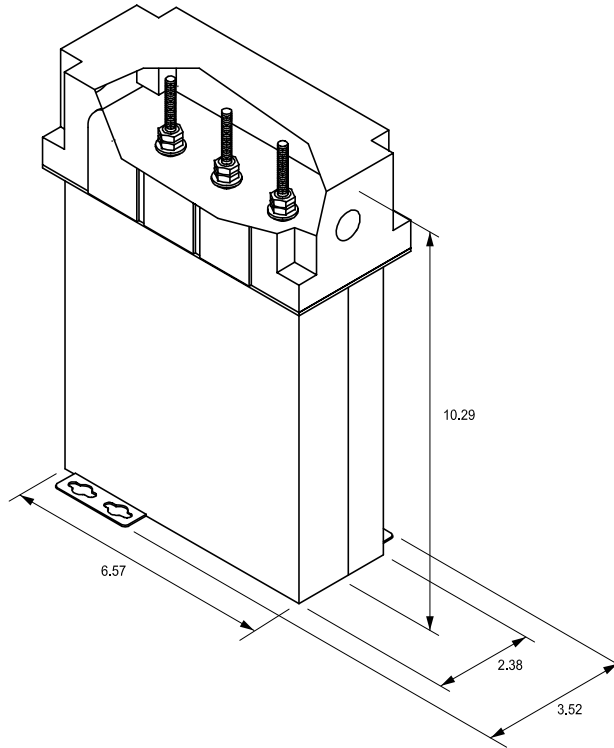
CLMD-13 Drill plan



Approximate dimensions Individual capacitors

← 00.00 → Inches

CLMD-13SC — stud connected



CLMD-13SC — expanded view

