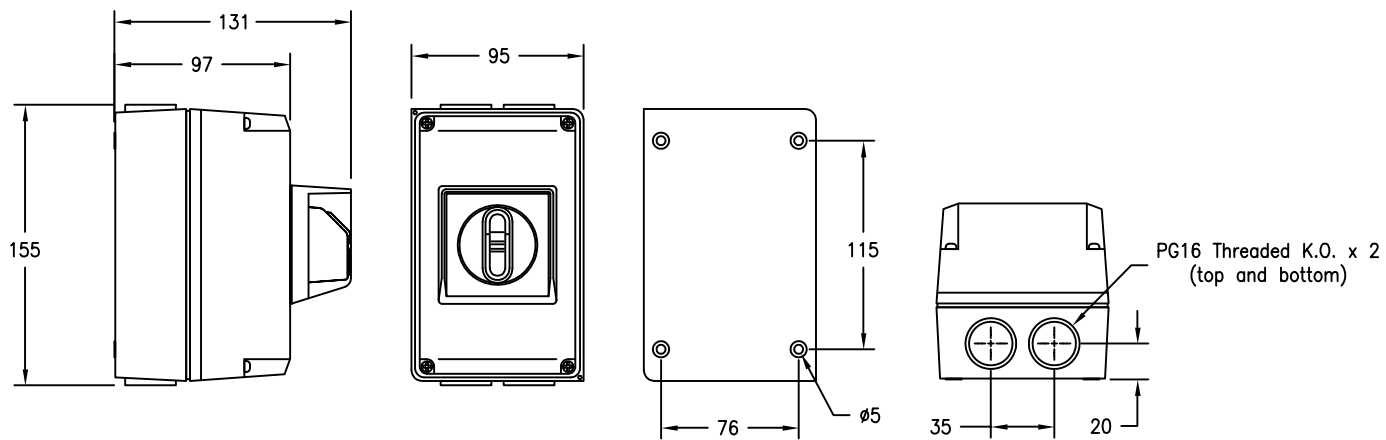


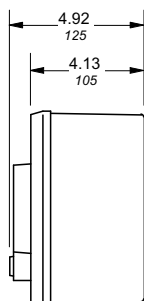
Type MS116

Approximate dimensions

Molded plastic enclosures for MS116
OTPA116L2P1 and OTPA116A2P1



12644



12646

