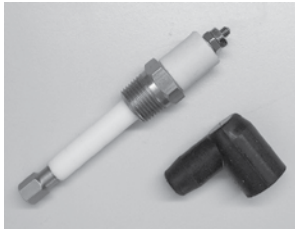


## Accessories

### Liquid Level Probes and Probe Holders

7

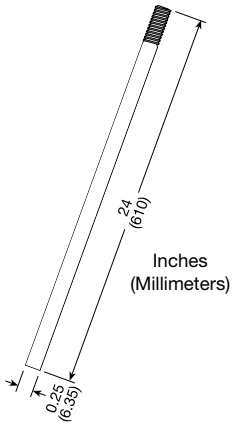
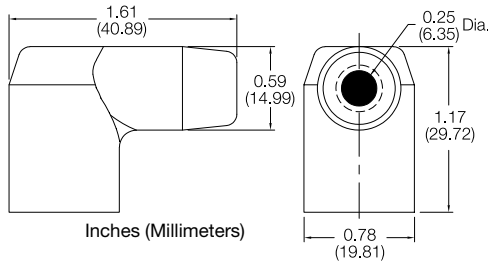


#### Liquid Level Control Electrodes

Designed for use with all conductive liquid level controls. Composed of insulators and metal parts made of number 300 series stainless steel. These internally conductive probe holders are designed for a maximum steam pressure of 240 PSI.

#### Ordering Table

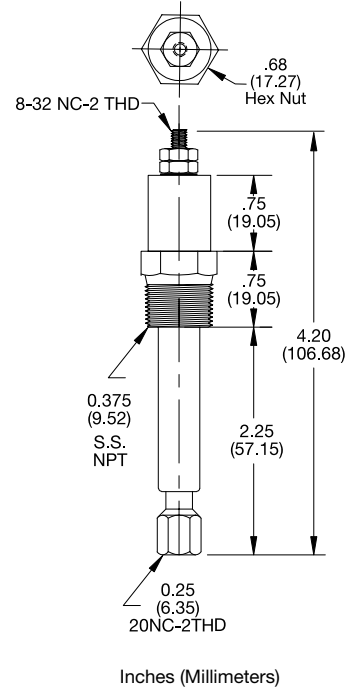
Part Number	Description
PHST-38QTN	Probe Holder (UL Recognized)
P0700-409	Protective Boot



#### Liquid Level Probe

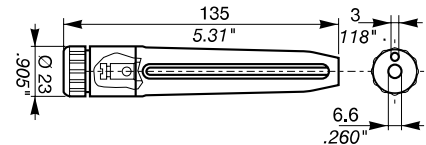
P/N: LLP-24

Threaded stainless steel probe measuring 24 in. (61 cm) long. Designed for use with WCC-1138 and WCC-1138-3 liquid level control electrodes.



#### Suspension Electrode

Steel electrode (X 12 CR Mo S 17) with sleeve (Lupulen 6011 L) suitable up to 60°C max. Attaches to an insulated wire suspended from the top of the holding tank. Length of wire determines the sensing location.



#### Ordering Table

Part Number	Units per pack	Weight (kg/oz)
1SVR 402 902 R 0000	1	0.053/1.855

#### Three Phase Fuse Block/Disconnect

Three phase fuse block disconnect designed for use with HRC midget fuses rated up to 25 A at 500 V AC. Snap onto 35mm DIN rail.

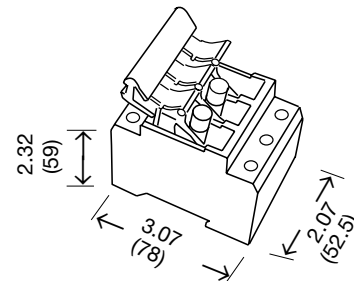


#### Midget Fuse

Fast acting fuse for use with voltage monitors. Rated 2 A at 500 V AC. 1.5 x .41 in. (38.1 x 10.4 mm)

#### Ordering Table

Part Number	Description
FH3P	3 Pole Fuse Block
P0600-11	Midget Fuse



8



FH3P does not include P0600-11 fuses

Complete Product Details:  
<http://www.ssac.com/pp1.htm>

