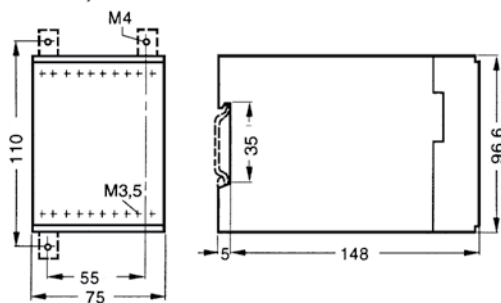
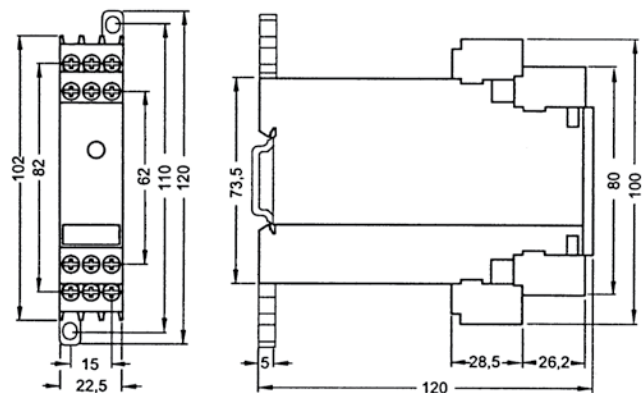


# Approximate dimensions

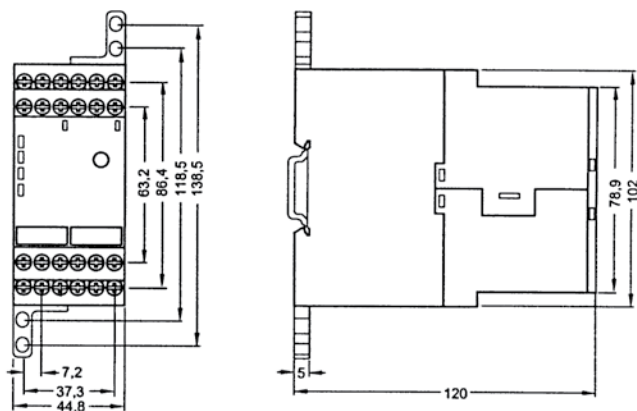
**C570**



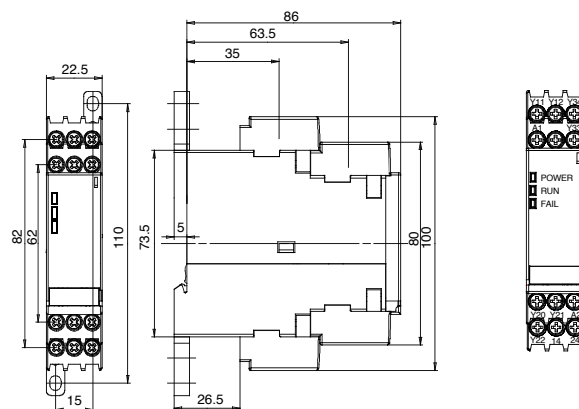
**C571, C573, C576, C577, C579**



**C572, C574, C575, C578**



**C6700 / C6701 / C6702**



**C565-S**

