

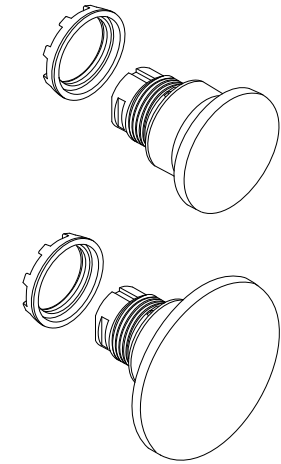
Mushroom pushbuttons

Non-illuminated and illuminated

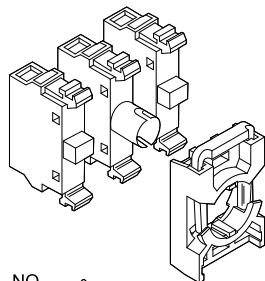
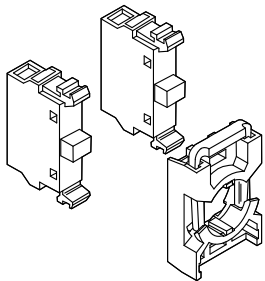
Momentary

Operator ...

Operator material	Button color	Catalog No.	Ref. Code	List Price
non-illuminated				
Ø 40 mm				
Plastic	Red	MPM1-10R	1SFA 611 124 R1001	\$ 16.00
	Yellow	MPM1-10Y	1SFA 611 124 R1003	16.00
	Black	MPM1-10B	1SFA 611 124 R1006	16.00
Ø 60 mm				
Plastic	Red	MPM2-10R	1SFA 611 125 R1001	20.00
	Yellow	MPM2-10Y	1SFA 611 125 R1003	20.00
	Black	MPM2-10B	1SFA 611 125 R1006	20.00
illuminated ①				
Ø 40 mm				
Plastic	Green	MPM1-11G	—	16.00
	Red	MPM1-11R	1SFA 611 124 R1101	16.00
	Yellow	MPM1-11Y	1SFA 611 124 R1103	16.00
Ø 60 mm				
Plastic	Green	MPM2-11G	—	20.00
	Red	MPM2-11R	1SFA 611 125 R1101	20.00
	Yellow	MPM2-11Y	1SFA 611 125 R1103	20.00



Bezel in black plastic as standard
Bezel in metal:
Replace '1' in the:
Catalog No. MPMX-1 0X
Ref. Code 1SFA611XXX R 1XXX
3 for metal bezel
4 for grey plastic bezel



NO $\begin{matrix} \text{---} \\ \text{---} \end{matrix}$ $\begin{matrix} \text{---} \\ \text{---} \end{matrix}$
LB $\begin{matrix} \text{---} \\ \text{---} \end{matrix}$ $\begin{matrix} \text{---} \\ \text{---} \end{matrix}$
NC $\begin{matrix} \text{---} \\ \text{---} \end{matrix}$ $\begin{matrix} \text{---} \\ \text{---} \end{matrix}$

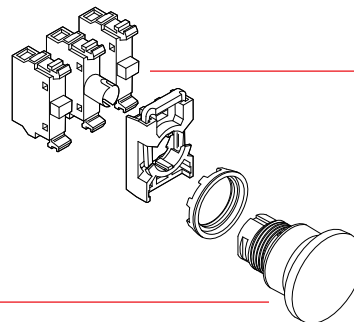
Contact blocks, lamp block and holder ②

Blocks	Catalog No.	Ref. Code	List Price
1 NO with holder	MCBH-10	1SFA 611 605 R1101	\$ 10.00
1 NC with holder	MCBH-01	1SFA 611 605 R1110	10.00
2 NO with holder	MCBH-20	1SFA 611 605 R1102	18.00
2 NC with holder	MCBH-02	1SFA 611 605 R1120	18.00
1 NO + 1 NC with holder	MCBH-11	1SFA 611 605 R1111	18.00
1 NO + 1 LB with holder	MCBH-101	1SFA 611 605 R1201	27.50
1 NC + 1 LB with holder	MCBH-011	1SFA 611 605 R1210	27.50
2 NO + 1 LB with holder	MCBH-201	1SFA 611 605 R1202	35.50
2 NC + 1 LB with holder	MCBH-021	1SFA 611 605 R1220	35.50
1 NO + 1 NC + 1 LB with holder	MCBH-111	1SFA 611 605 R1211	35.50
1 NO without holder	MCB-10	1SFA 611 610 R1001	8.00
1 NC without holder	MCB-01	1SFA 611 610 R1010	8.00
Lamp block for 2 W, max 230 V AC/DC bulb or LED	MLB-1	1SFA 611 620 R1001	17.50
Holder for 3 blocks	MCBH-00	1SFA 611 605 R1100	2.00

Ordering example – Mushroom Pushbutton

Requested: A modular mushroom pushbutton, Ø 40 mm, illuminated, red, with one NO + one NC contact and a standard lamp block

Ref.: 1 piece of MPM1-11R + 1 piece of MCBH-111
Bulb - see accessories



① No contact block in the center position, reserved for lamp block.

② Lamp block MLB-1. Bulb not included. Other lamp block see Accessories, bulb max 1.2 W.