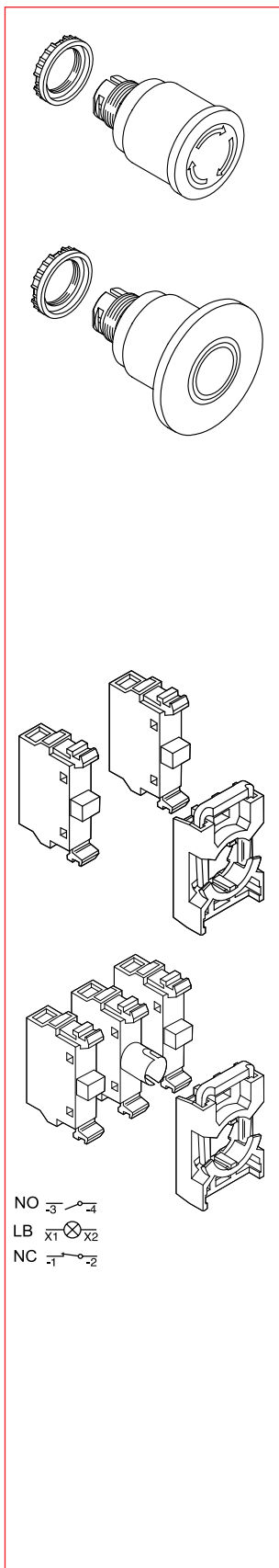


Emergency stop pushbuttons Non-illuminated and illuminated

Fulfills IEC 60947-5-5



Operator ...

Operator function	Button color and material	Catalog No.	Ref. Code	List Price
non-illuminated				
Ø 40 mm				
Twist release	Red, plastic	MPMT3-10R	1SFA 611 510 R1001	\$ 34.00
Pull release	Red, plastic	MPMP3-10R	1SFA 611 511 R1001	
Twist release	Black, plastic	MPMT3-10B	1SFA 611 510 R1006	
Pull release	Black, plastic	MPMP3-10B	1SFA 611 511 R1006	
Ø 60 mm				
Twist release	Red, plastic	MPMT4-10R	1SFA 611 510 R1006	46.00
Pull release	Red, plastic	MPMP4-10R	1SFA 611 511 R1006	
illuminated ①				
Ø 40 mm				
Twist release	Red, plastic	MPMT3-11R	1SFA 611 510 R1101	34.00
Pull release	Red, plastic	MPMP3-11R	1SFA 611 511 R1101	
Ø 60 mm				
Twist release	Red, plastic	MPMT4-11R	1SFA 611 513 R1101	46.00
Pull release	Red, plastic	MPMP4-11R	1SFA 611 514 R1101	

For compact E-Stops, see page 8.31.

Contact blocks, lamp block and holder ②

Blocks	Catalog No.	Ref. Code	List Price
1 NO with holder	MCBH-10	1SFA 611 605 R1101	\$ 10.00
1 NC with holder	MCBH-01	1SFA 611 605 R1110	10.00
2 NO with holder	MCBH-20	1SFA 611 605 R1102	18.00
2 NC with holder	MCBH-02	1SFA 611 605 R1120	18.00
1 NO + 1 NC with holder	MCBH-11	1SFA 611 605 R1111	18.00
1 NO + 1 LB with holder	MCBH-101	1SFA 611 605 R1201	27.50
1 NC + 1 LB with holder	MCBH-011	1SFA 611 605 R1210	27.50
2 NO + 1 LB with holder	MCBH-201	1SFA 611 605 R1202	35.50
2 NC + 1 LB with holder	MCBH-021	1SFA 611 605 R1220	35.50
1 NO + 1 NC + 1 LB with holder	MCBH-111	1SFA 611 605 R1211	35.50
1 NO without holder	MCB-10	1SFA 611 610 R1001	8.00
1 NC without holder	MCB-01	1SFA 611 610 R1010	8.00
Lamp block for 2 W, max 230 V AC/DC bulb or LED	MLB-1	1SFA 611 620 R1001	17.50
Holder for 3 blocks	MCBH-00	1SFA 611 605 R1100	2.00

To comply with the standard, IEC 60947-5-5, a number of tests have to be conducted:

Durability test	6,050 cycles. This is not a test of mechanical life. The product has a mechanical life of 100,000 operations.	Latching test	Impulse voltage test at 2,500 V
Robustness	The force 113 N applied in three axes	Resetting test	Pulling force < 50 N Turning torque < 1 Nm
Conditioning	Heat and cold, moist atmosphere, and in 5 % NaCl	Shock	15 g shock
		Vibration	2 h at 50m/s ²
		Contacts with positive opening operation	15 g shock

① No contact in the center position

② Lamp block MLB-1. Bulb not included. Other lamp block see Accessories, bulb max 2 W.