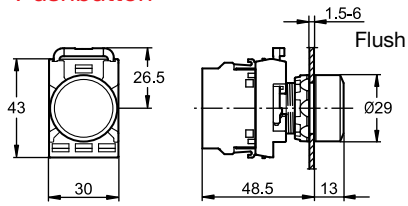


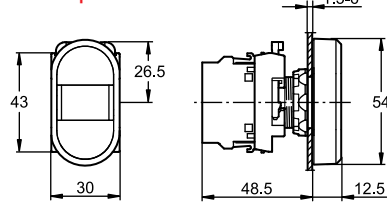
Approximate dimensions Modular range

All dimensions in MM

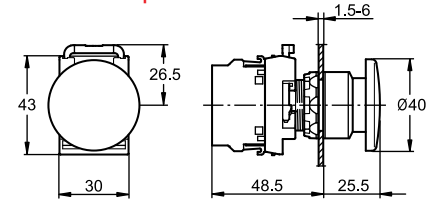
Pushbutton



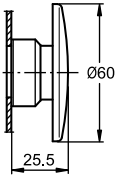
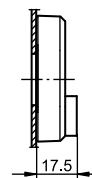
Double pushbutton



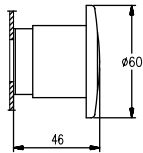
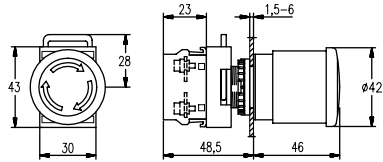
Mushroom pushbutton



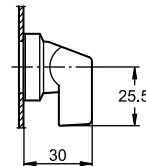
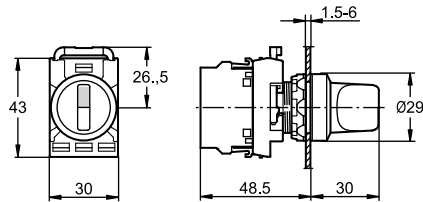
Extended



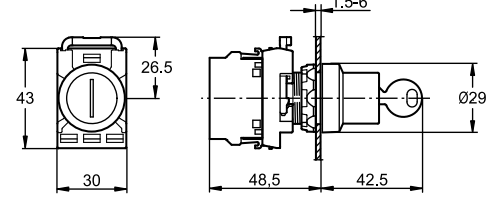
Emergency stop pushbutton



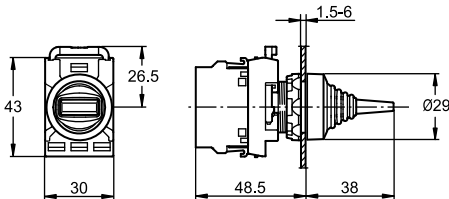
Selector switch



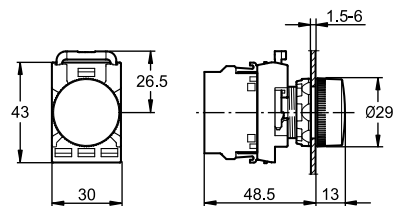
Key-operated selector switch



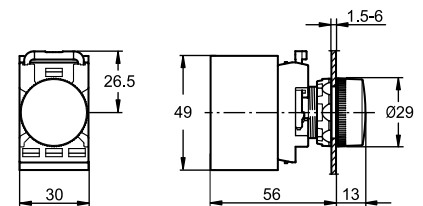
Toggle switch



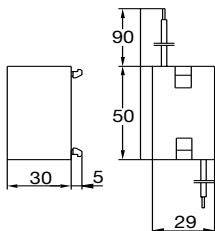
Pilot light



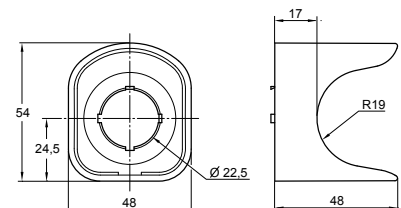
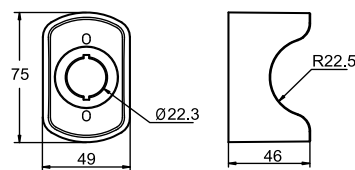
Pilot light with transformer



Transformer block



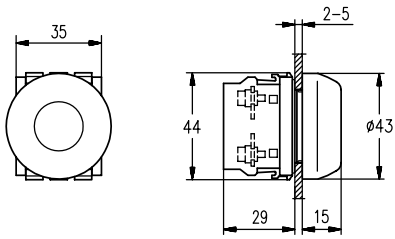
Emergency stop shroud



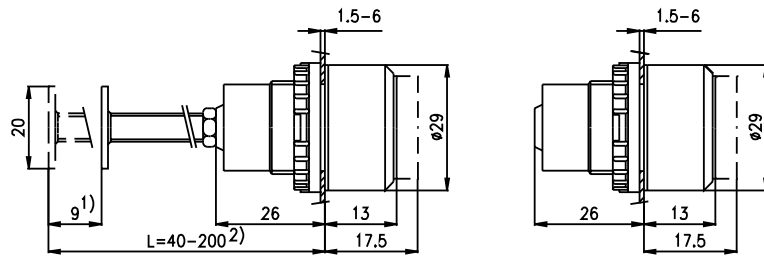
Approximate dimensions and drilling plans Modular range

All dimensions in MM

Definite purpose pushbutton

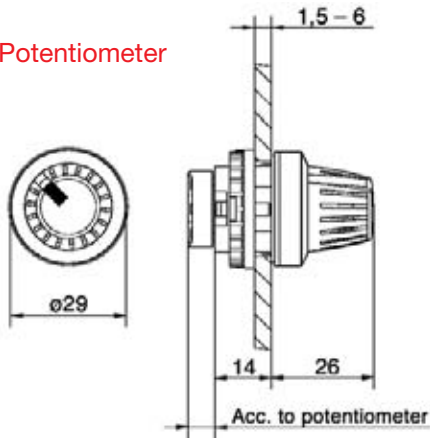


Reset pushbutton

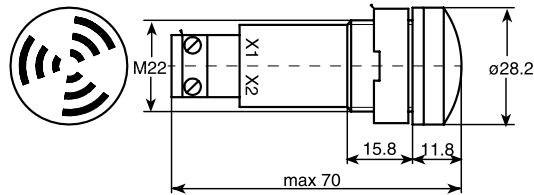


- 1) Length of stroke.
- 2) Can be cut to desired length.

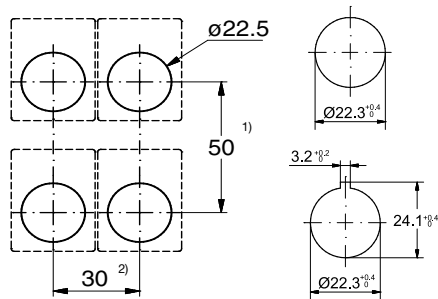
Potentiometer



Buzzer

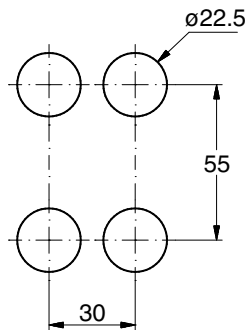


Drilling plans for pushbuttons, switches and pilot lights

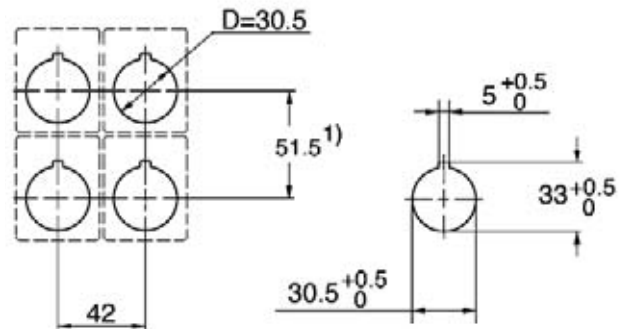


- 1) 55 mm when legend plate H= 44.5 mm is used.
61 mm for mushroom pushbutton with D=60 mm
- 2) 37 mm when legend plate with insert is used,

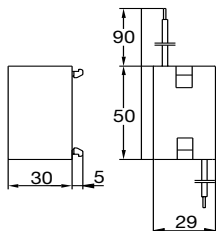
Drilling plan for double pushbutton



Drilling plan for 30 mm adaptor



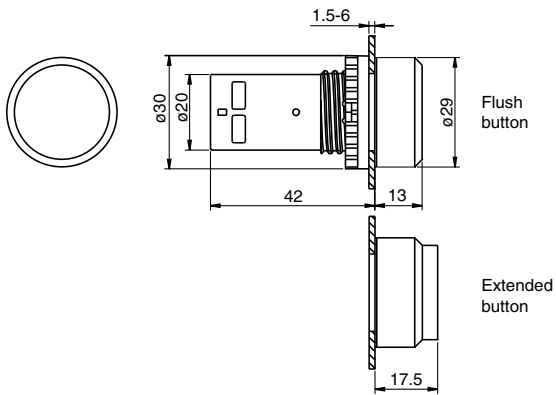
Transformer block



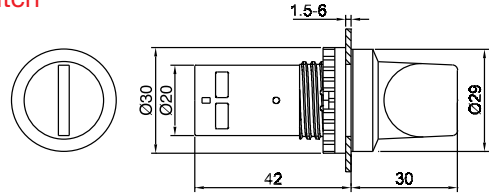
Approximate dimensions Compact range

All dimensions in MM

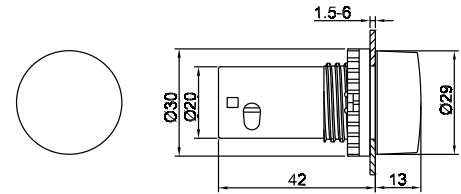
Pushbutton



Selector switch

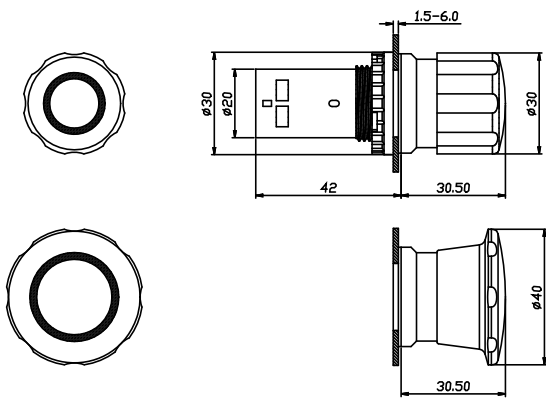


Pilot light

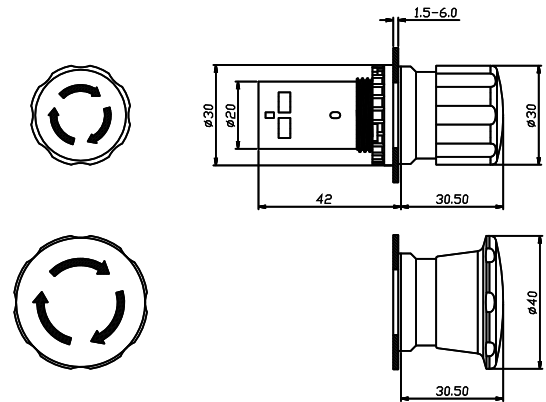


Emergency stop pushbuttons

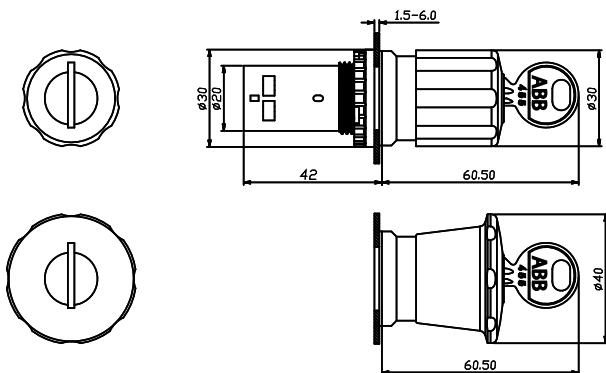
CE3P/CE4P (Pull release)



CE3T/CE4T (Twist release)



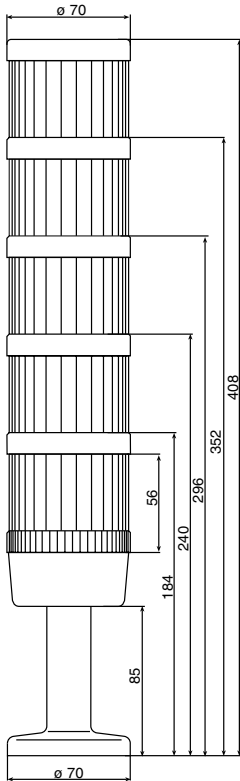
CE3K1/CE4K1



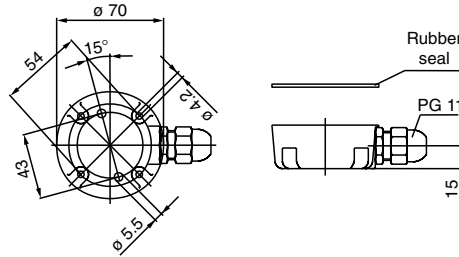
Approximate dimensions and drilling plans Signal Towers/Signal Beacons

All dimensions in MM

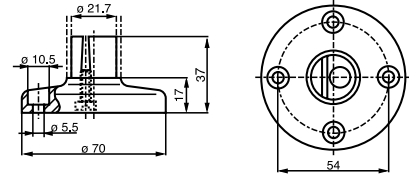
Signal Towers K 70



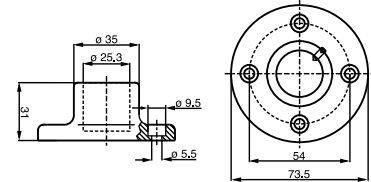
Contact box for cable exit at side



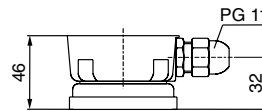
Base for tube, plastic



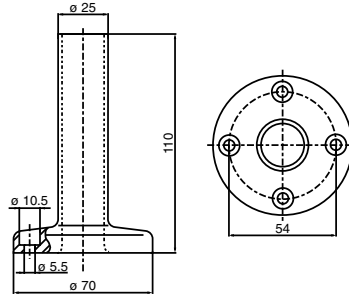
Base for tube, metal



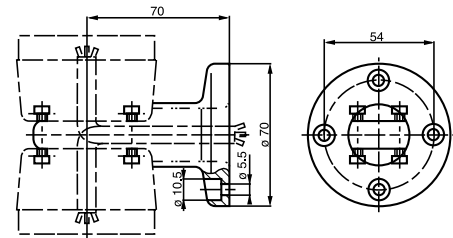
Contact box with magnetic base



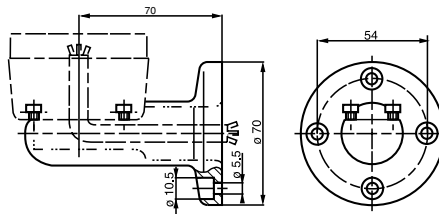
Base with integrated tube



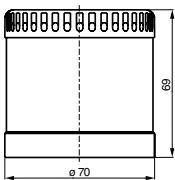
Bracket 2-sided mounting



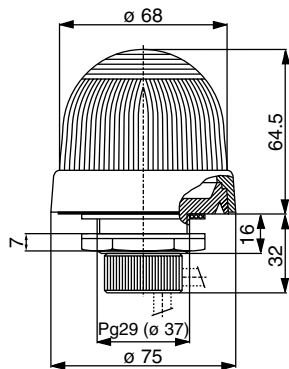
Bracket 1-sided mounting



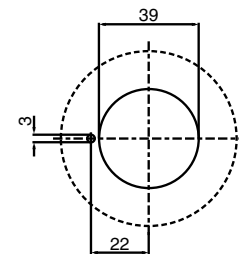
Audible module



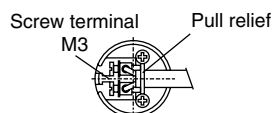
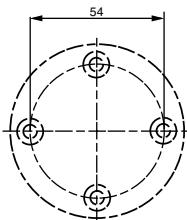
Signal Beacons K SB



Drilling plan for Signal Beacons KSB



Drilling plan for Signal Towers K 70

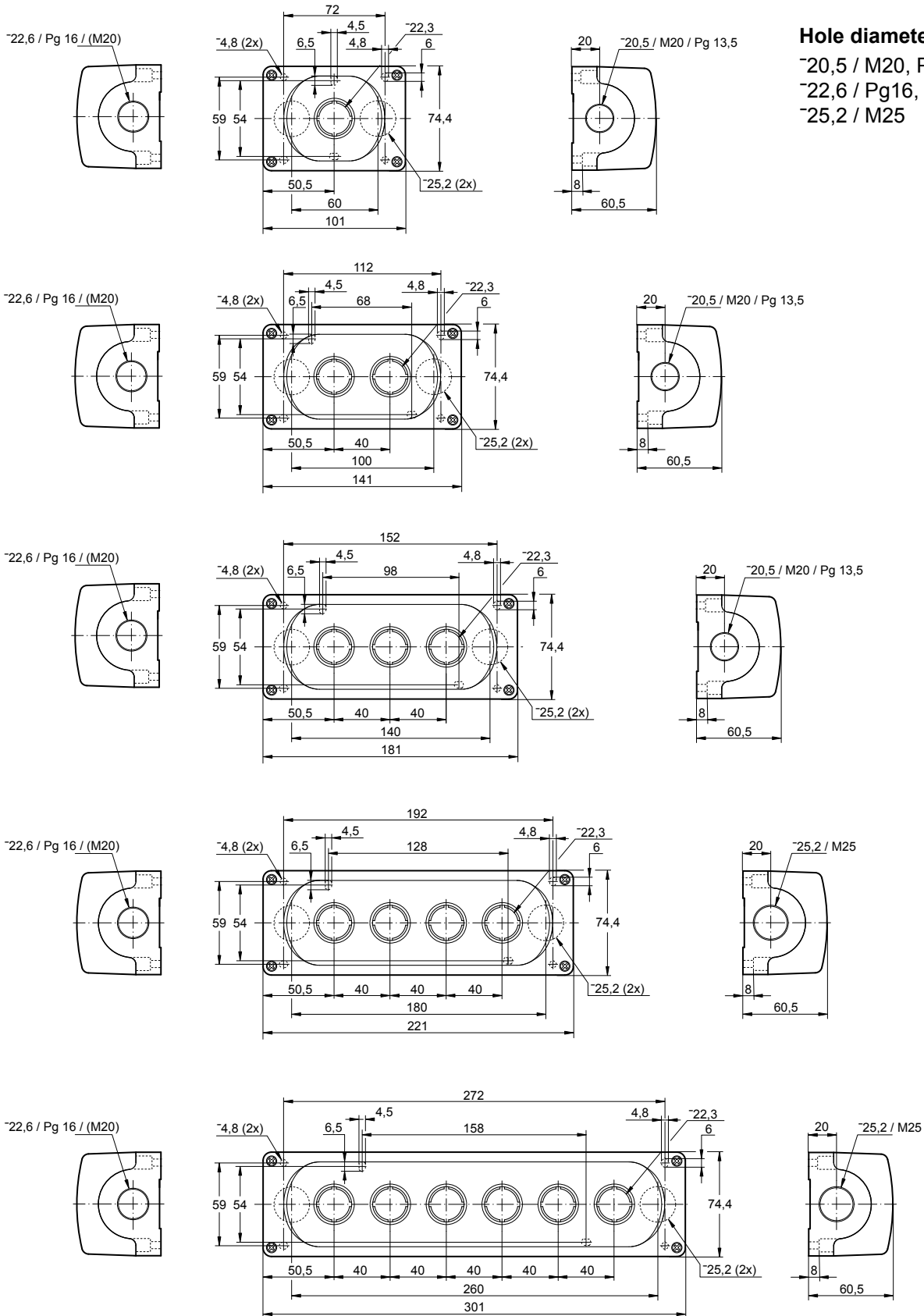


Approximate dimensions Enclosures

All dimensions in MM

Hole diameter / Cable gland

- ~20,5 / M20, Pg13,5
- ~22,6 / Pg16, (M20)
- ~25,2 / M25



Color selection

Color selection according to IEC 60204-1

IEC 60204-1 specifies coding principles for indicators and actuators and gives recommendation regarding the use of colors. An excerpt from the standard is given below. For detailed information, see the standard.

Meaning of colors – General principles

Color	Meaning		
	Safety of persons or environment	Condition of process	State of equipment
RED	Danger	Emergency	Faulty
YELLOW	Warning/caution	Abnormal	Abnormal
GREEN	Safe	Normal	Normal
8 BLUE	Mandatory significance		
WHITE, GREY, BLACK	No specific meaning assigned		

Non-illuminated actuators

Emergency actuators

EMERGENCY-STOP / OFF actuators shall be identified by the color **RED**

STOP / OFF actuators

WHITE, GREY and **BLACK** are the preferred colors for STOP / OFF actuators, with the main preference being for **BLACK**. **RED** is also permitted. **GREEN** shall not be used.

START / ON actuators

WHITE, GREY and **BLACK** are the preferred colors for START / ON actuators, which cause the closing of switching devices and the equipment to start, with the main preference being for **WHITE**. **GREEN** is also permitted. **RED** shall not be used.

Use of **WHITE** and **BLACK** for specific meanings

Where the colors **WHITE** and **BLACK** are used to distinguish between START / ON and STOP / OFF actuators, then the color **WHITE** shall be used for START / ON actuators and the color **BLACK** shall be used for STOP / OFF actuators.

The same actuators serving for **START** and **STOP** or **ON** and **OFF**

WHITE, GREY and **BLACK** are the preferred colors for actuators which, when actuated several times, act alternately as a START / ON and STOP / OFF actuator.

The colors **YELLOW** and **GREEN** shall not be used. The color **RED** shall be used only in cases where the same actuator, other than a push-button, is used for both EMERGENCYSTOP / OFF and normal operation.

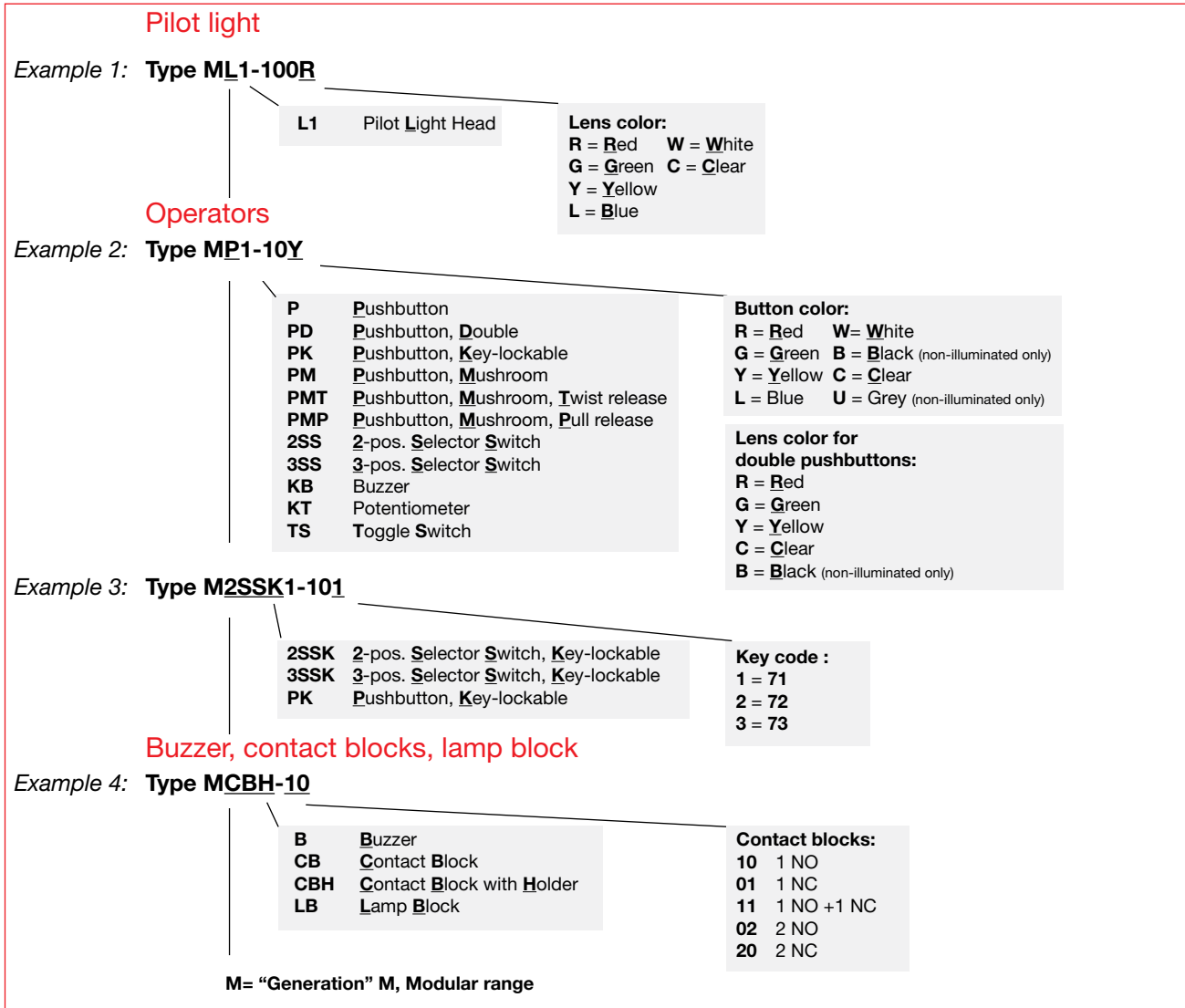
WHITE, GREY and **BLACK** are preferred colors for actuators which cause a movement while they are actuated and stop the movement when they are released (such as inching or jogging actuators). **GREEN** is also permitted. **RED** shall not be used.

RESET actuators

RESET actuators (used, for example, with protective relays) shall be **BLUE, WHITE, GREY** and **BLACK**, except RESET actuators which also act as STOP / OFF actuators. The color of such STOP / OFF actuators shall be in accordance with **STOP / OFF actuators** above.

Catalog number explanation

Modular pilot devices



Compact pilot devices

