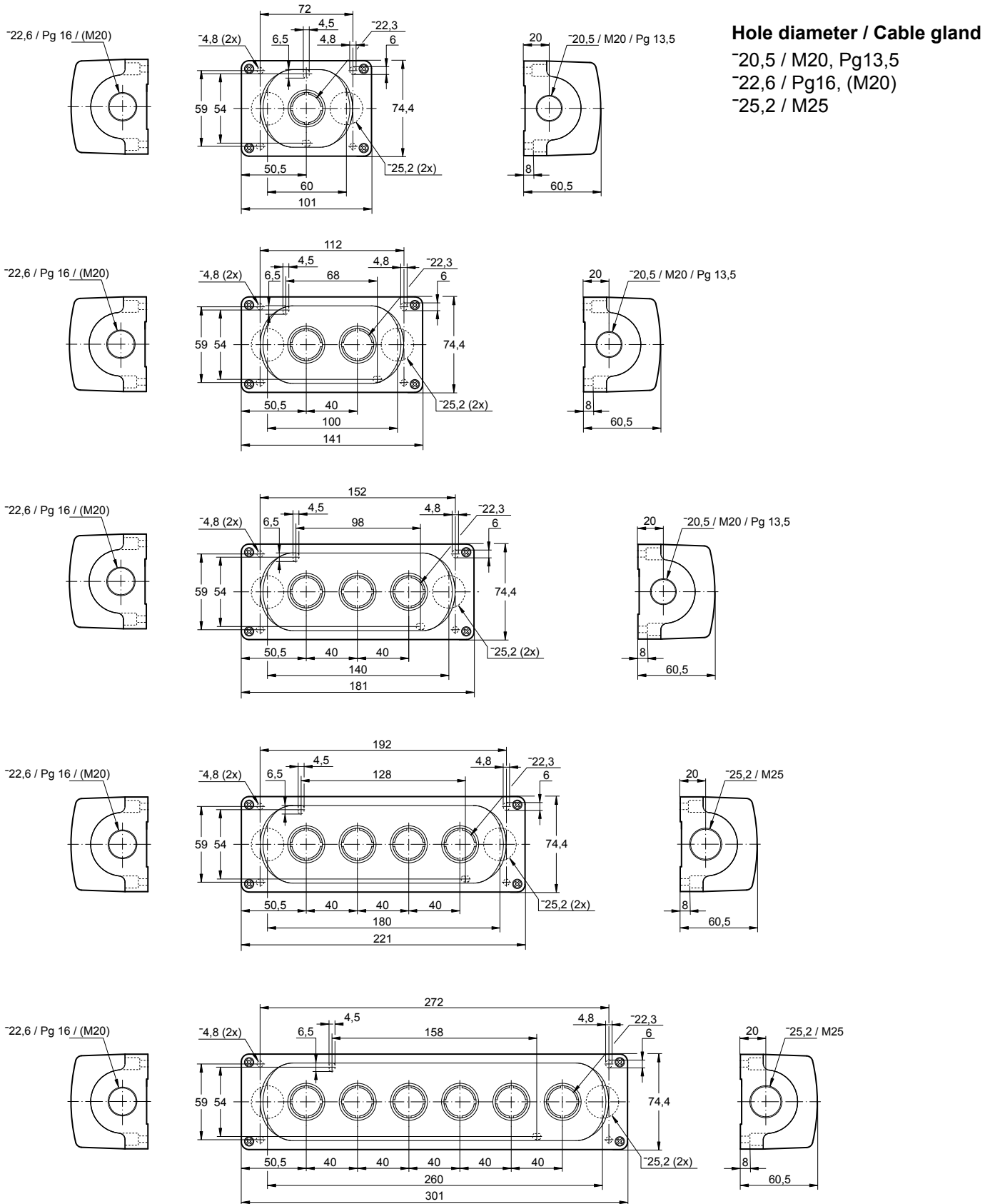


Approximate dimensions Enclosures

All dimensions in MM



Hole diameter / Cable gland

- $\sim 20.5 / M20, Pg13,5$
- $\sim 22.6 / Pg16, (M20)$
- $\sim 25.2 / M25$