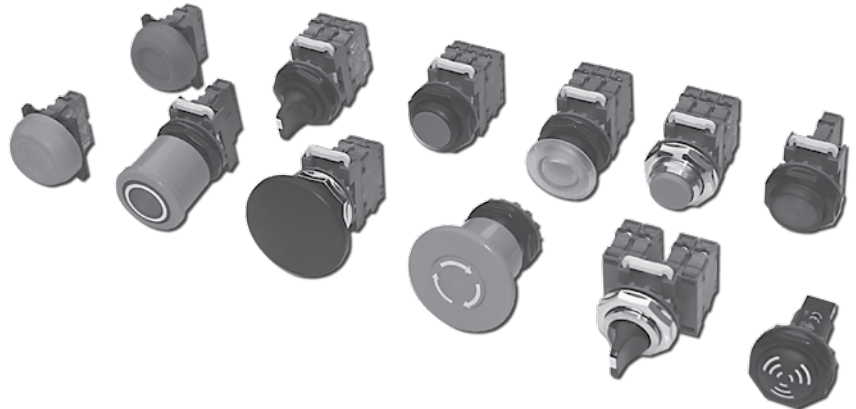




Modular range
30mm



30mm Pilot devices

General construction

- Snap-on features reduce installation time
- Bezels: black plastic or chrome metal
- Contact block holder features rear mounting with quick-release locking mechanism for high security
- Buttons available in several colors
- Engraved text caps available
- Custom-specific markings on request
- UL File# E57057
- CSA File# LR19700

Operators

- Pushbuttons, illuminated and non-illuminated
- Mushroom pushbuttons, illuminated and non-illuminated, 40mm and 60mm diameter
- Emergency stop pushbuttons, illuminated and non-illuminated, twist or pull release
- Selector switches, illuminated and non-illuminated, 2- or 3-position, short or long handle
- Key-operated selector switches, 2- or 3-position
- Toggle switches, 2- or 3-position

Contact blocks

- Quick-mount, quick release contact block holder for fast and easy assembly/disassembly
- NO & NC contact blocks are color-coded for easy identification: Green = NO; Red = NC
- Silver-tipped contacts
- Wiping action for high reliability
- Low energy gold-plated contact blocks
- Contact block holder for three or five blocks in a single row

Pilot lights

- Full voltage, resistor and transformer
- LED and filament bulbs available