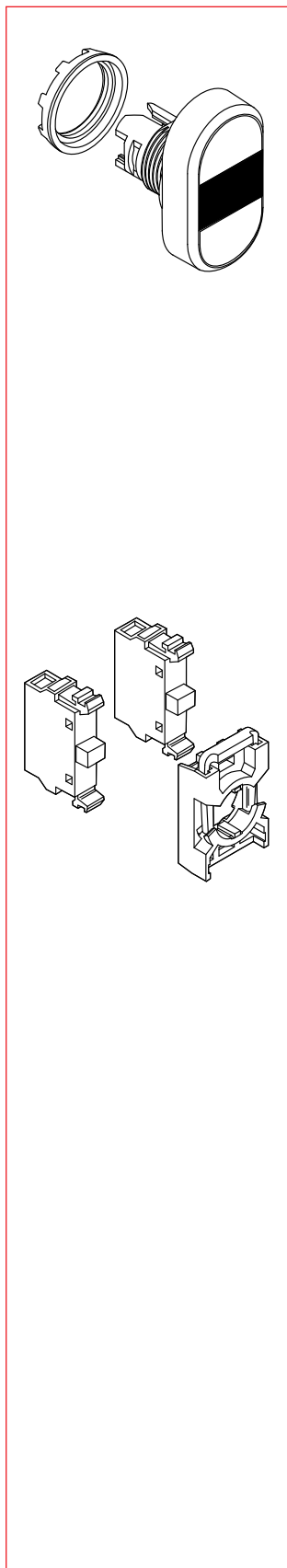


Double pushbuttons Flush/flush, non-illuminated ①



Double pushbutton, flush/flush, non-illuminated ①

Options	Catalog number characters										List Price	
Flush/Flush, Green/Red	M	P	D	1	-							\$ 18.00
Flush/Flush, Green/Red, I/O	M	P	D	2	-							21.00
Flush/Flush, Green/Red, ON/OFF	M	P	D	3	-							21.00
Flush/Flush, Green/Red, START/STOP	M	P	D	4	-							21.00
Flush/Flush, White/Black	M	P	D	5	-							18.00
Flush/Flush, White/Black, I/O	M	P	D	6	-							21.00
Flush/Flush, White/Black, ON/OFF	M	P	D	7	-							21.00
Flush/Flush, White/Black, START/STOP	M	P	D	8	-							21.00
With Holder	-					2	0					2.00
Center Lens Color - Black								B				—
Contact Blocks, 1NO								1	0			8.00
Contact Blocks, 2NO								2	0			16.00
Contact Blocks, 3NO								3	0			24.00
Contact Blocks, 1NC								0	1			8.00
Contact Blocks, 2NC								0	2			16.00
Contact Blocks, 3NC								0	3			24.00
Contact Blocks, 1NO+1NC								1	1			16.00
Contact Blocks, 2NO+1NC								2	1			24.00
Contact Blocks, 1NO+2NC								1	2			24.00
Contact Blocks, 1NO, Gold								1	0	G		16.00
Contact Blocks, 2NO, Gold								2	0	G		32.00
Contact Blocks, 3NO, Gold								3	0	G		48.00
Contact Blocks, 1NC, Gold								0	1	G		16.00
Contact Blocks, 2NC, Gold								0	2	G		32.00
Contact Blocks, 3NC, Gold								0	3	G		48.00
Contact Blocks, 1NO+1NC, Gold								1	1	G		32.00
Contact Blocks, 2NO+1NC, Gold								2	1	G		48.00
Contact Blocks, 1NO+2NC, Gold								1	2	G		48.00
5 Block Holder											5	4.00

See catalog number explanation on page 4.

① No contact block in center position.