

Latch & manual reset

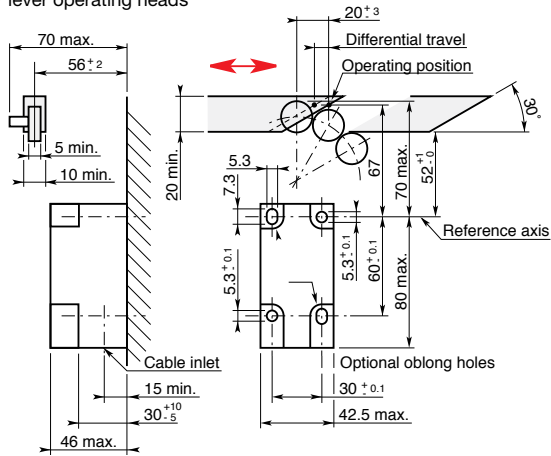
Technical data

EN 50041 standard

The European Committee for Electrotechnical Standardization (CENELEC), which groups together 18 countries, publishes EN standards. The present standard defines dimensions and mechanical data for limit switches (42.5 x 80 mm).

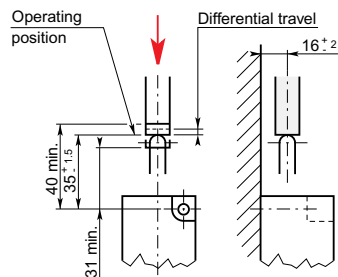
A Shape

Roller lever operating heads



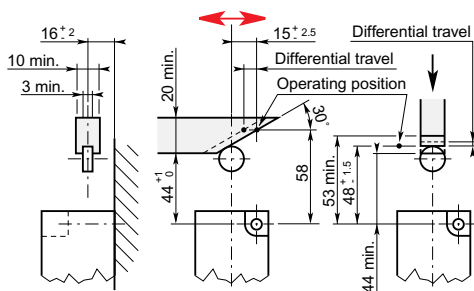
B Shape

Rounded plunger operating heads



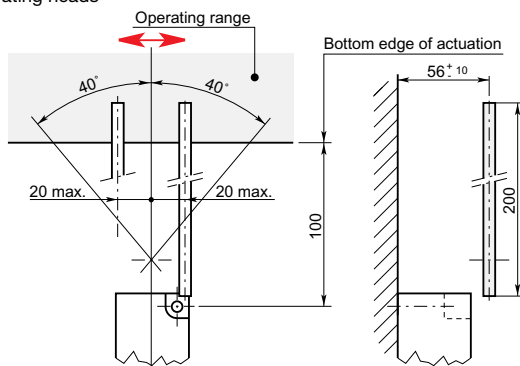
C Shape

Roller plunger operating heads



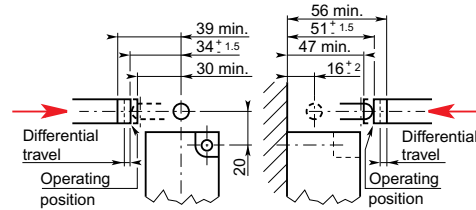
D Shape

Rod operating heads



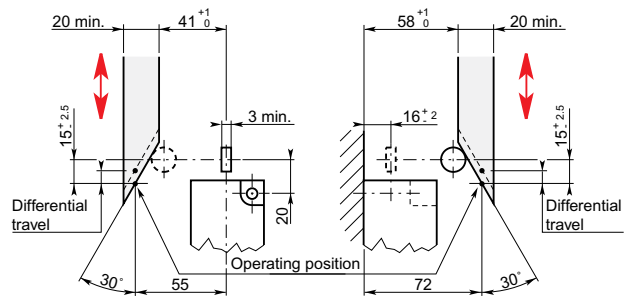
F Shape

Rounded lateral plunger operating heads



G Shape

Lateral roller plunger operating heads – Lateral actuation



Lateral roller plunger operating heads – Front actuation

