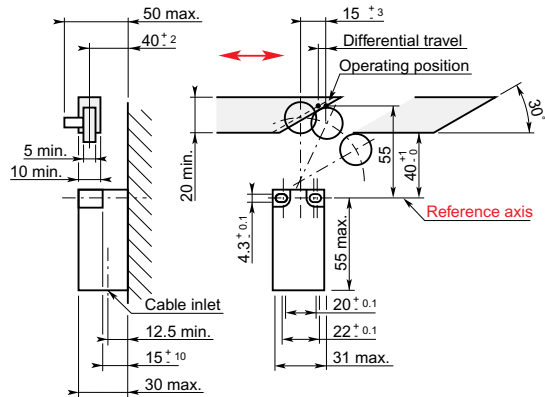


Technical data EN 50047 standard

The European Committee for Electrotechnical Standardization (CENELEC), which groups together 18 European countries, publishes EN standards.
The present standard defines dimensions and mechanical data for limit switches (30 x 55mm).

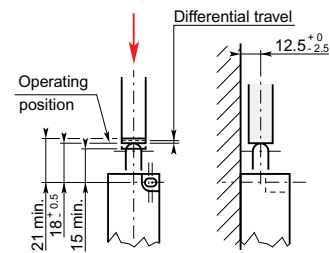
A Shape

Roller lever operating heads



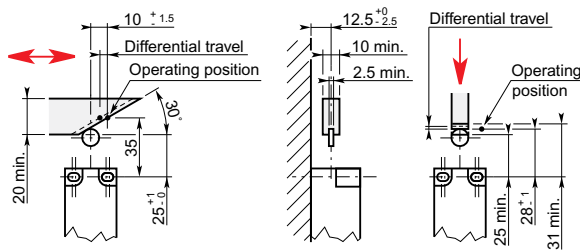
B Shape

Rounded plunger operating heads



C Shape

Roller plunger operating heads



E Shape

Roller lever operating heads

