

## General information

### 30mm & 40mm, IP65, UL Type 4

#### Applications

Easy to use, electromechanical limit switches offer specific qualities:

- Visible operation
- Able to switch strong currents (10 A conventional thermal current)
- Electrically separated contacts
- Precise operating points (consistency)
- Immune to electromagnetic disturbances

Limit switches used for these mechanical applications:

- Presence/absence
- Positioning and travel limit
- Objects passing/counting

#### Description

Limit switches, which are made of reinforced UL-V0 thermoplastic fiberglass, offer double insulation  and a degree of protection of IP 65 and UL type 4.

Casings come in 2 dimensions:

- 30mm width  
– LS35P
- 40mm width  
– LS45P

9

30 or 40mm width casings with standardized dimensions corresponding to:

- EN 50047 for 30mm width
- EN 50041 for 40mm width

Mounting the casing:

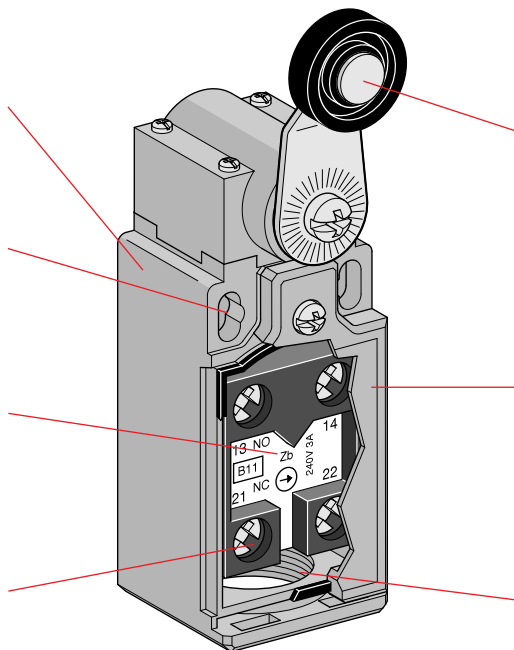
- 2 x M4 screws on top part for 30mm width
- 2 or 4 x M5 screws for 40mm width

Block of 2 contacts:

- Contact configuration: N.O. + N.C., 2 N.O., 2 N.C.
- Positive opening operation
- Snap action or slow action
- Zb shape: the 2 contacts are electrically separated

Connecting terminals:

- M3.5 (+,-) pozidriv 2 screw
- Screw head with captive cable clamp
- Markings conform with IEC 947-1, IEC 947-5-1, EN 50005 and 50013 standards



#### A variety of operating heads

- Plain plunger
  - Roller plunger
  - Roller lever, adjustable or not, etc.
- Assembled using 4 x ø 3 screws for 30mm width  
Assembled using 4 x ø 4 screws for 40mm width

#### Cover

- Closed using ø 3 screws for 30mm width
  - Self clipping closure for 40mm width
- One piece sealing gasket to ensure tightness

#### Electrical connection

- 1 x Pg 11 cable gland for LS31P
- 1 x Pg 13.5 cable gland for LS30P
- 1 x Pg 13.5 cable gland for LS40P
- 1 x 1/2" NPT cable gland for LS35P
- 1 x 1/2" NPT cable gland for LS45P

#### Catalog number explanation

**LS 35 P 41 B**

Limit switch

Casing width

30 = 30mm width+1 cable inlet for Pg 13.5 cable gland  
31 = 30mm width+1 cable inlet for Pg 11 cable gland  
35 = 30mm width+1 cable inlet for 1/2" NPT cable gland  
40 = 40mm width+1 cable inlet for Pg 13.5 cable gland  
45 = 40mm width+1 cable inlet for 1/2" NPT cable gland

Plastic casing

Operating heads: codes 10 – 93

Contact block

11: 1 N.O. contact + 1 N.C. contact  
20: 2 N.O. contacts  
02: 2 N.C. contacts

B: Zb Snap action

L: Zb Slow action (contact dependent)

D: Zb Slow action non-overlapping late make

C: Zb Slow action overlapping early make