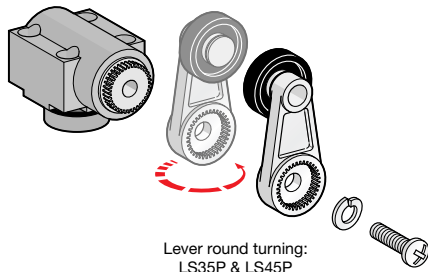
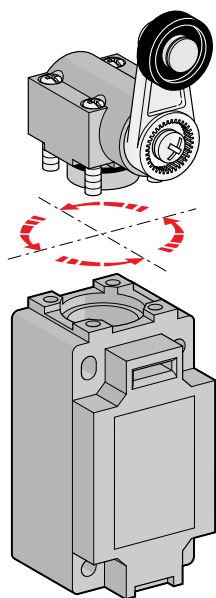


**General information**  
**Implementation**  
**30mm & 40mm, IP65, UL Type 4**

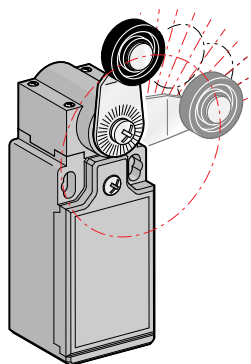
Plastic  
 Limit switches



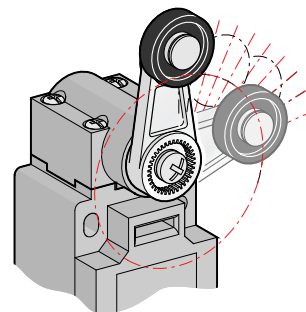
Lever round turning:  
 LS35P & LS45P



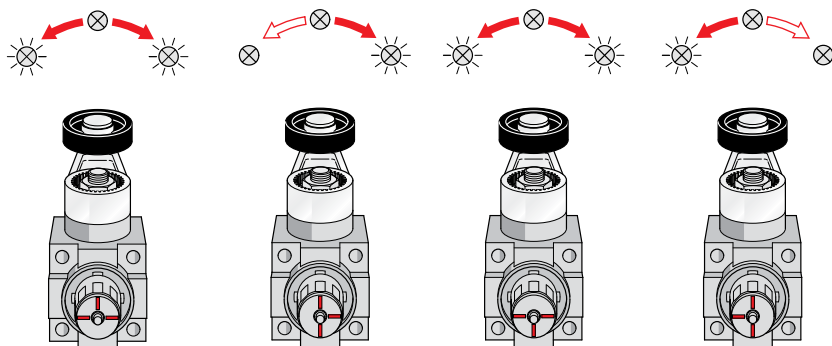
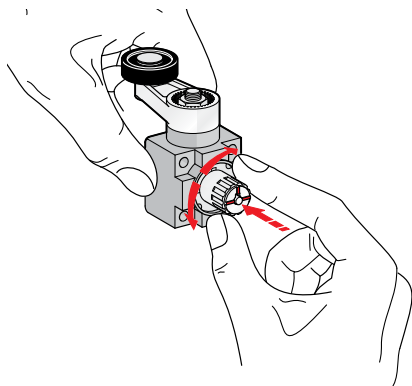
Head orientation:  
 LS35P & LS45P



Free position adjustment  
 10 in 10° of lever:  
 LS35P



Free position adjustment  
 9 in 9° of lever:  
 LS45P



Operating mode selection only, LS45P