

# IEC Technical data

## EK110 – EK1000

Across the line  
contactors

1

### Mounting Characteristics

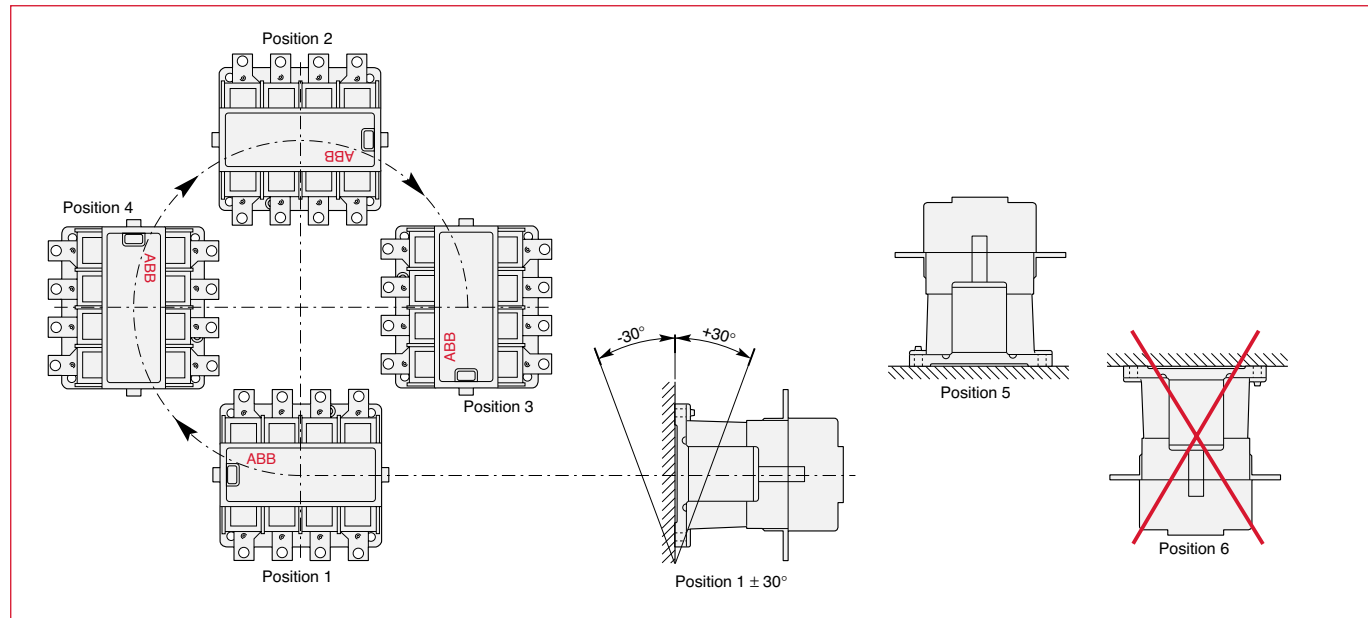
Contactor types: EK...	110	150	175	210	370	550	1000
Mounting positions	see "Conditions for use"						
Fixing by screws (supplied)	4 x M6				4 x M6 (1)		

### Conditions for Use

Sustainable utilization conditions for contactors involving at the same time the Mounting position, Ambient temperature and Control voltage operating limits are summarized in the table below.

Contactors	Mounting position	Ambient temperature	Control voltage
E110 ... EK210	1, 1 ± 30°, 3, 4, 5 2, 6 unauthorized	≤ 70 °C	0.85 ... 1.1 x U <sub>c</sub>
E370 ... EK1000	1, 1 ± 30°, 2, 3, 4, 5 6 unauthorized	≤ 70 °C	0.85 ... 1.1 x U <sub>c</sub>

### Mounting Positions (see the above table for authorized positions)



Ⓞ Damping elements are supplied