

Analog output

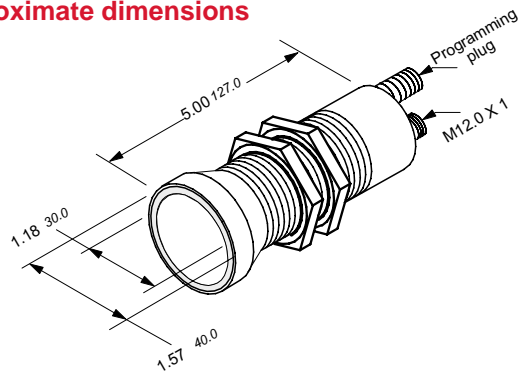
Sensing range: 4000mm & 6000mm

Adjustable sensing range	500mm – 4000mm	800mm – 6000mm
Catalog number	SUD4KM30NC1M	SUD6KM30NC1M
List price	\$ 760.00	\$ 840.00
Output Suffix M Analog output #1 – current Analog output #2 – voltage	Analog 4 – 20mA or 20 – 4mA (Load 500Ω) 0 – 10V or 10 – 0V (Load 1000Ω)	Analog 4 – 20mA or 20 – 4mA (Load 500Ω) 0 – 10V or 10 – 0V (Load 1000Ω)
Operating specifications		
Standard test plate (min. flat surface)	mm 100 x 100	mm 100 x 100
Transducer frequency	kHz 85	kHz 65
Response time	ms 300	ms 500
Linearity	<0.1% of full scale	<0.1% of full scale
Repeatability	<0.1% of full scale	<0.1% of full scale
Resolution		
Span <705mm	mm 0.172	mm 0.172
Span ≥705mm	Max. span value – Min. span value/4096	Max. span value – Min. span value/4096
Electrical specifications		
Supply voltage	VDC 10 – 30	VDC 10 – 30
Current consumption	mA 80	mA 80
Short circuit & overload protection	yes	yes
Reverse polarity protection	yes	yes
LEDs		
Green	"Power on," teaching function, object detected	"Power on," teaching function, object detected
Red	"Fault," no object detected	"Fault," no object detected
Yellow	Span limit A1, falling slope	Span limit A1, falling slope
Yellow	Span limit A2, rising slope	Span limit A2, rising slope
Mechanical specifications		
Operating temperature	°F -13 ... +158	°F -13° ... +158
Storage temperature	°F -40 ... +185	°F -40 ... +185
Temperature drift	Compensated (0.2%/K without temp. compensation)	Compensated (0.2%/K without temp. compensation)
Protection IEC	IP65	IP65
Housing material	303 Stainless steel	303 Stainless steel
Transducer material	Epoxy resin/silica composite	Epoxy resin/silica composite
Black ring	Polyurethane	Polyurethane
Housing diameter	mm 30	mm 30
Approvals		
CE	yes	yes
UL Listed	yes	yes
CSA	yes	yes
Connection	Connector M12	Connector M12



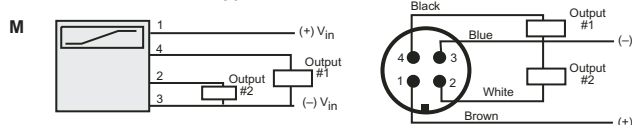
10

Approximate dimensions

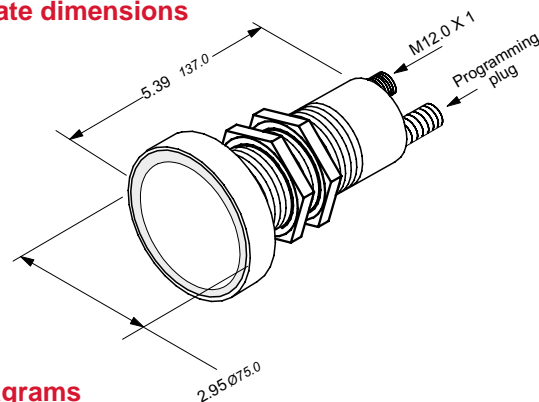


Wiring diagrams

Quick disconnect C1 Type



Approximate dimensions



Wiring diagrams

Quick disconnect C1 Type

