

Inductive 2 Wire AC Sensing range: 5mm – 8mm

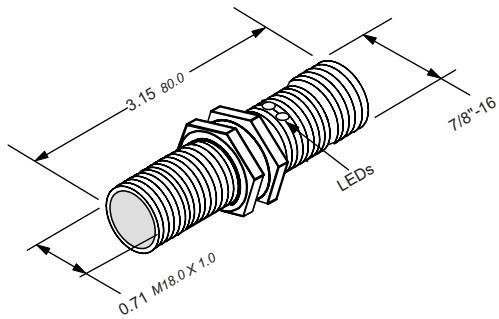
Proximity
Sensors

Operating distance		5mm	8mm
Catalog number		SIF5M18NC7AO SIF5M18NC7AC	SIN8M18NV2AO SIN8M18NV2AC
List price		\$ 103.00	\$ 108.00
Sensor mounting		Shielded	Non-shielded
Output		Normally Open Normally Closed	Normally Open Normally Closed
Suffix AO			
Suffix AC			
Operating voltage	VAC	20 – 250	20 – 250
Load current	mA	200	200
Switching frequency	Hz	25	25
No load supply current	mA	1.7	1.7
Voltage drop	VAC	5	8
Short circuit protection		no	no
Reverse polarity protection		N/A	N/A
Output indication		LED yellow/LED green	LED yellow/LED green
Operating temperature	°F	-13 ... +158	-13 ... +158
Protection			
IEC		IP67	IP67
Approvals			
CE		yes	yes
UL Listed		yes	yes
CSA		yes	yes
Wire size		—	22 AWG/0.34mm ²
Housing material		Nickel-plated brass	Nickel-plated brass
Housing diameter	mm	18	18
Sensing face		Crastin	Crastin
Connection		Connector 7/8"	2 m, PVC cable

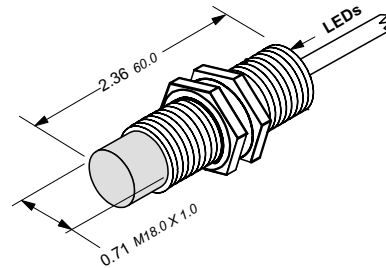


10

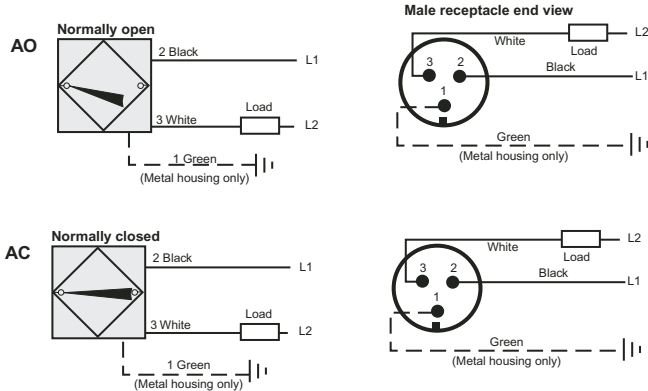
Approximate dimensions



Approximate dimensions



Wiring diagrams



Wiring diagrams

