

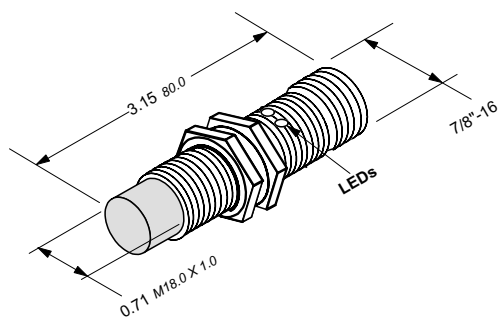
## Inductive 2 Wire AC Sensing range: 8mm – 10mm

Operating distance		8mm	10mm
Catalog number		SIN8M18NC7AO SIN8M18NC7AC	SIF10M30NV2AO SIF10M30NV2AC
List price		<b>\$ 111.00</b>	<b>\$ 108.00</b>
Sensor mounting		Non-shielded	Shielded
Output		Normally Open Normally Closed	Normally Open Normally Closed
Operating voltage		20 – 250 VAC	20 – 250 VAC
Load current		200 mA	200 mA
Switching frequency		25 Hz	25 Hz
No load supply current		1.7 mA	1.7 mA
Voltage drop		5 VAC	8 VAC
Short circuit protection		no	no
Reverse polarity protection		N/A	N/A
Output indication		LED yellow/LED green	LED yellow/LED green
Operating temperature		-13 ... +158 °F	-13 ... +158 °F
Protection IEC		IP67	IP67
Approvals			
CE		yes	yes
UL Listed		yes	yes
CSA		yes	yes
Wire size		—	22 AWG/0.34mm <sup>2</sup>
Housing material		Nickel-plated brass	Nickel-plated brass
Housing diameter		18 mm	30 mm
Sensing face		Crastin	Crastin
Connection		Connector 7/8"	2 m, PVC cable

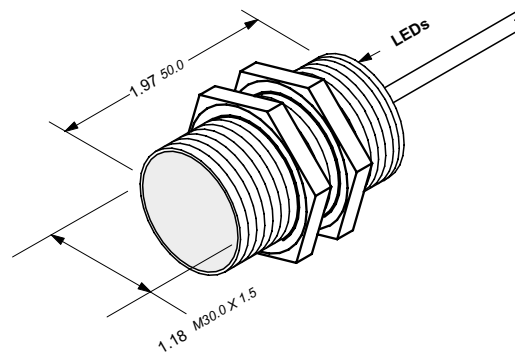


10

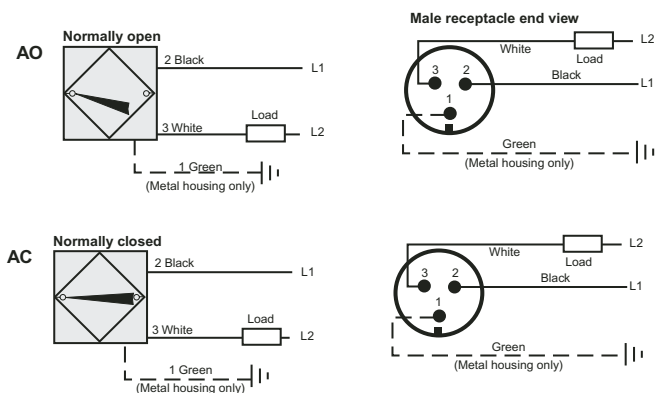
### Approximate dimensions



### Approximate dimensions



### Wiring diagrams



### Wiring diagrams

