

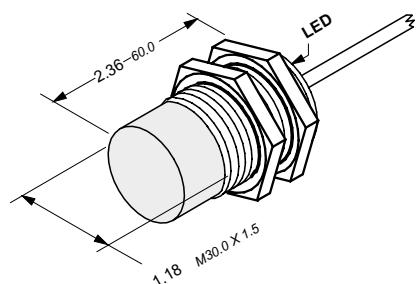
Inductive 2 Wire AC Sensing range: 15mm

Operating distance		15mm	15mm
Catalog number		SIN15M30NV2AO SIN15M30NV2AC	SIN15M30NC2AO —
List price		\$ 108.00	\$ 110.00
Sensor mounting		Non-shielded	Non-shielded
Output		Normally Open Normally Closed	Normally Open Normally Closed
Suffix AO Suffix AC			
Operating voltage	VAC	20 – 250	20 – 250
Load current	mA	200	200
Switching frequency	Hz	25	25
No load supply current	mA	1.7	1.7
Voltage drop	VAC	8	8
Short circuit protection		no	no
Reverse polarity protection		N/A	N/A
Output indication		LED yellow/LED green	LED yellow/LED green
Operating temperature	°F	-13 ... +158	-13 ... +158
Protection		IP67	IP67
IEC			
Approvals			
CE		yes	yes
UL Listed		yes	yes
CSA		yes	yes
Wire size		22 AWG/0.34mm ²	—
Housing material		Nickel-plated brass	Nickel-plated brass
Housing diameter	mm	30	30
Sensing face		Crastin	Crastin
Connection		2 m, PVC cable	Connector 1/2" – 20

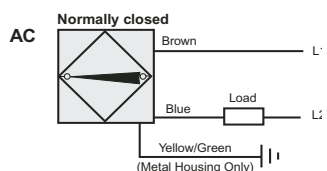
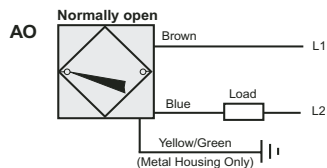


10

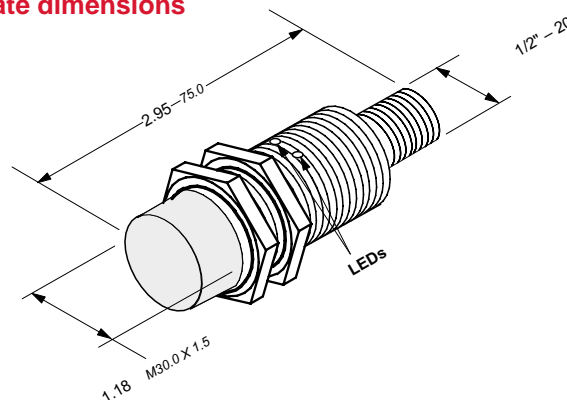
Approximate dimensions



Wiring diagrams



Approximate dimensions



Wiring diagrams

