

Inductive 2 Wire AC Sensing range: 15mm

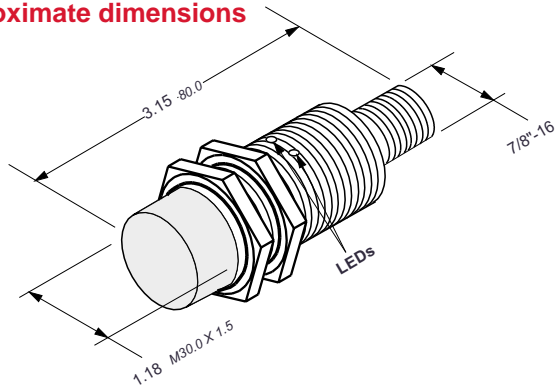
Proximity
Sensors

Operating distance		15mm	15mm
Catalog number		SIN15M30NC7AO	SIN15Q30UC7AO ① SIN15Q30UC7AC ①
List price		\$ 112.00	\$ 123.00
Sensor mounting		Non-shielded	Non-shielded
Output		Normally Open	Normally Open Normally Closed
Suffix AO			
Suffix AC		—	
Operating voltage	VAC	20 – 250	20 – 250
Load current	mA	200	400
Switching frequency	Hz	25	25
No load supply current	mA	1.7	1.7
Voltage drop	VAC	8	5
Short circuit protection		no	no
Reverse polarity protection		N/A	N/A
Output indication		LED yellow/LED green	LED yellow/LED green
Operating temperature	°F	-13 ... +158	-13 ... +158
Protection IEC		IP67	IP67
Approvals			
CE		yes	yes
UL Listed		yes	yes
CSA		yes	yes
Wire size		—	Up to 14 AWG/2.5mm ²
Housing material		Nickel-plated brass	Crastin – metal base
Housing diameter	mm	30	—
Sensing face		Crastin	Crastin
Connection		Connector 7/8"	Terminal

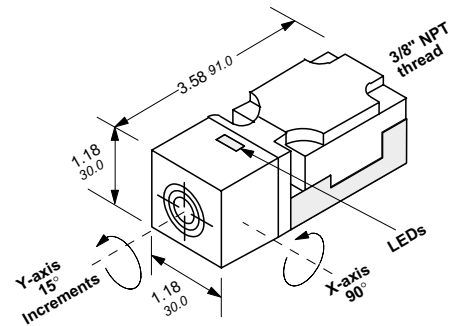


10

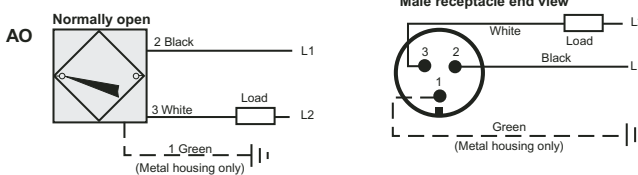
Approximate dimensions



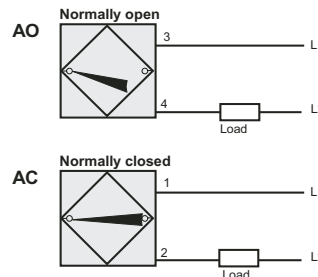
Approximate dimensions



Wiring diagrams



Wiring diagrams



① To order Pg9 threaded connection, order part numbers:
SIN15-Q30N-T-AO
SIN15-Q30N-T-AC