

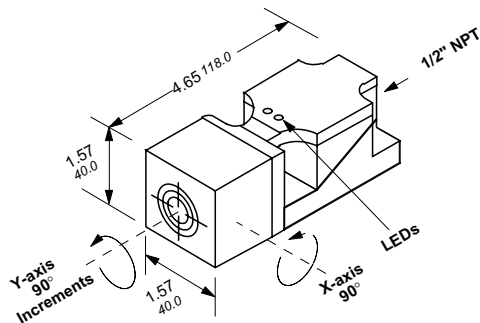
Inductive 2 Wire AC Sensing range: 15mm – 20mm

Operating distance		15mm	20mm
Catalog number		SIF15Q40UTAK ①	SIN20Q40UTAK ②
List price		\$ 135.00	\$ 135.00
Sensor mounting		Shielded	Non-shielded
Output Suffix AK		AC N.O. or N.C.	AC N.O. or N.C.
Operating voltage	VAC	20 – 253	20 – 253
Load current	mA	500	500
Switching frequency	Hz	25	25
No load supply current	mA	10	10
Voltage drop	VAC	3	3
Short circuit protection		no	no
Reverse polarity protection		N/A	N/A
Output indication		LED yellow/LED green	LED yellow/LED green
Operating temperature		-13 ... +158	-13 ... +158
Protection IEC		IP68	IP68
Approvals			
CE		yes	yes
UL Listed		yes	yes
CSA		yes	yes
Wire size		Up to 14 AWG/2.5mm ²	Up to 14 AWG/2.5mm ²
Housing material		Crastin/metal base	Crastin/metal base
Housing diameter		—	—
Sensing face		Crastin	Crastin
Connection		Terminal	Terminal

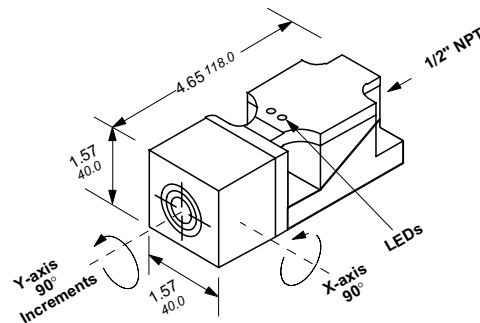


10

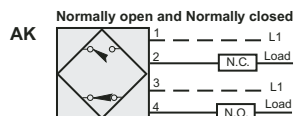
Approximate dimensions



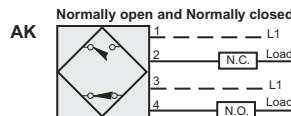
Approximate dimensions



Wiring diagrams



Wiring diagrams



① To order Pg13.5 threaded connection, order part number:
SIF15-Q40N-T-AK

② To order Pg13.5 threaded connection, order part number:
SIF20-Q40N-T-AK