

Inductive 2 Wire AC Sensing range: 30mm

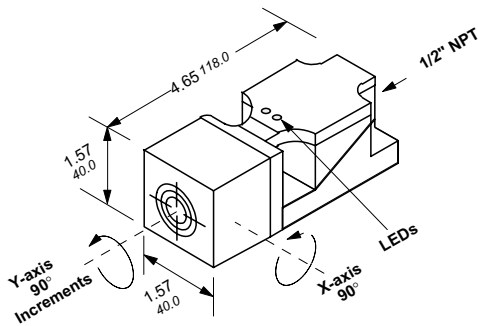
Proximity
Sensors

Operating distance		30mm
Catalog number		SIN30Q40UC7AK ①
List price		\$ 127.00
Sensor mounting		Non-shielded
Output Suffix AK		AC N.O. or N.C.
Operating voltage	VAC	20 – 253
Load current	mA	500
Switching frequency	Hz	25
No load supply current	mA	10
Voltage drop	VAC	3
Short circuit protection		no
Reverse polarity protection		N/A
Output indication		LED yellow/LED green
Operating temperature	°F	-13 ... +158
Protection IEC		IP68
Approvals		
CE		yes
UL Listed		yes
CSA		yes
Wire size		Up to 14 AWG/2.5mm ²
Housing material		Crastin/metal base
Housing diameter	mm	—
Sensing face		Crastin
Connection		Terminal

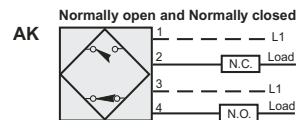


10

Approximate dimensions



Wiring diagrams



① To order Pg13.5 threaded connection, order part number:
SIN30-Q40N-T-AK