



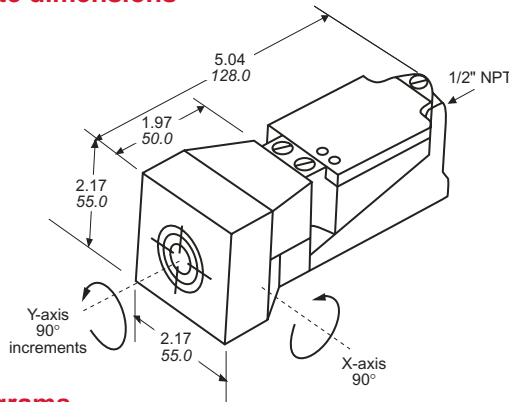
Inductive 2 Wire AC Sensing range: 40mm

| | | |
|-----------------------------|-----|------------------------------------|
| Operating distance | | 40mm |
| Catalog number | | SIN40Q55UTAK |
| List price | | \$ 210.00 |
| Sensor mounting | | Non-shielded |
| Output Suffix AK | | AC Normally Open + Normally Closed |
| Operating voltage | VAC | 20 – 250 |
| Load current | mA | 500 |
| Switching frequency | Hz | 25 |
| No load supply current | mA | 10 |
| Voltage drop | VAC | 3 |
| Short circuit protection | | no |
| Reverse polarity protection | | N/A |
| Output indication | | LED yellow/LED green |
| Operating temperature | °F | -13 ... +158 |
| Protection | | IP68 |
| Approvals | | |
| CE | | yes |
| UL Listed | | yes |
| CSA | | yes |
| Wire size | | Up to 14 AWG/2.5mm ² |
| Housing material | | Crastin – metal base |
| Housing diameter | mm | — |
| Sensing face | | Crastin |
| Connection | | Terminal |



10

Approximate dimensions



Wiring diagrams

