

# Inductive 2 Wire DC Sensing range: 10mm

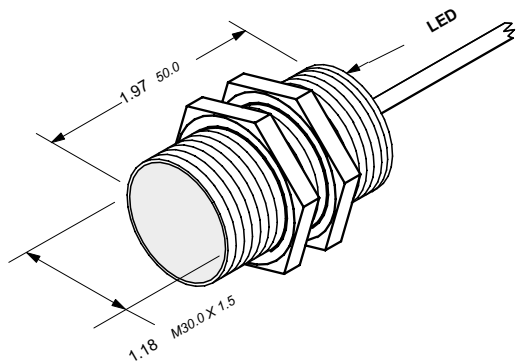
Proximity  
Sensors

Operating distance		10mm	10mm
Catalog number		SIF10M30NV2DO	SIF10M30EC1DO
List price		<b>\$ 84.00</b>	<b>\$ 95.00</b>
Sensor mounting		Shielded	Shielded
Output			
Suffix DO		Sinking or Sourcing	Sinking or Sourcing/Normally Open
Operating voltage	VDC	6 – 60	5 – 60
Load current	mA	100	100
Switching frequency	Hz	700	650
No load supply current	mA	0.7	0.7
Voltage drop	VDC	5.5	≤4.2
Short circuit protection		no	yes
Reverse polarity protection		yes	yes
Output indication		LED yellow	Ring LED yellow
Operating temperature	°F	-13 ... +158	-14 ... +158
Protection			
IEC		IP67	IP67
Approvals			
CE		yes	yes
UL Listed		yes	yes
CSA		yes	yes
Wire size		22 AWG/0.34mm <sup>2</sup>	—
Housing material		Nickel-plated brass	Stainless steel
Housing diameter	mm	30	30
Sensing face		Crastin	Crastin
Connection		2 m, PVC cable	Connector M12

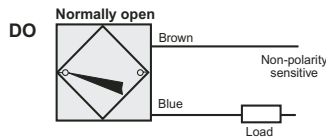


10

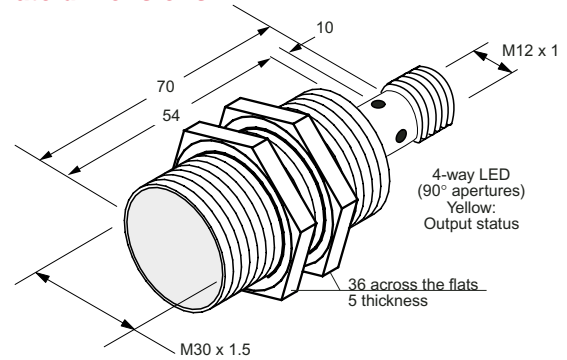
### Approximate dimensions



### Wiring diagrams



### Approximate dimensions



### Wiring diagrams

