

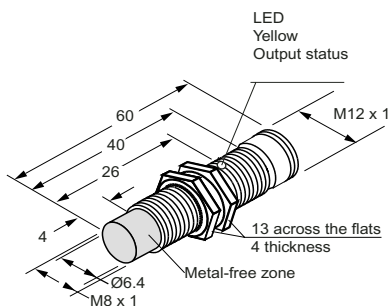
Inductive 3 Wire DC Sensing range: 2mm

Operating distance		2mm
Catalog number		SIN2M8EC1PO
List price		\$ 68.00
Sensor mounting		Non-shielded
Output		PNP Normally Open
Suffix PO		
Suffix NO		
Operating voltage	VDC	10 – 60
Load current	mA	100
Switching frequency	Hz	500
No load supply current	mA	≤15
Voltage drop	VDC	≤2
Short circuit protection		yes
Reverse polarity protection		yes
Output indication		LED yellow
Operating temperature	°F	-14 ... +158
Protection		IP67
IEC		
Approvals		
CE		yes
UL Listed		yes
CSA		yes
Wire size		—
Housing material		Stainless steel
Housing diameter		8
Sensing face		Crastin
Connection		Connector M12



10

Approximate dimensions



Wiring diagrams

