



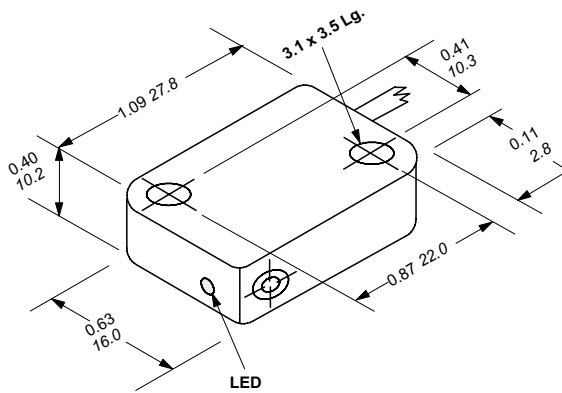
# Inductive 3 Wire DC Sensing range: 2mm

| Operating distance          |     | 2mm                              | 2mm                              |
|-----------------------------|-----|----------------------------------|----------------------------------|
| Catalog number              |     | SIF2B28NV0.1PO<br>SIF2B28NV0.1NO | SIF2B28NV0.1PC<br>SIF2B28NV0.1NC |
| List price                  |     | <b>\$ 109.00</b>                 | <b>\$ 109.00</b>                 |
| Sensor mounting             |     | Shielded                         | Shielded                         |
| Output                      |     |                                  |                                  |
| Suffix PO/PC                |     | PNP Normally Open                | PNP Normally Closed              |
| Suffix NO/NC                |     | NPN Normally Open                | NPN Normally Closed              |
| Operating voltage           | VDC | 10 – 30                          | 10 – 30                          |
| Load current                | mA  | 100                              | 100                              |
| Switching frequency         | Hz  | 1000                             | 1000                             |
| No load supply current      | mA  | 15                               | 15                               |
| Voltage drop                | VDC | 2                                | 2                                |
| Short circuit protection    |     | yes                              | yes                              |
| Reverse polarity protection |     | yes                              | yes                              |
| Output indication           |     | LED yellow                       | LED yellow                       |
| Operating temperature       | °F  | -13 ... +158                     | -13 ... +158                     |
| Protection                  |     |                                  |                                  |
| IEC                         |     | IP67                             | IP67                             |
| Approvals                   |     |                                  |                                  |
| CE                          |     | yes                              | yes                              |
| UL Listed                   |     | yes                              | yes                              |
| CSA                         |     | yes                              | yes                              |
| Wire size                   |     | 26 AWG/0.14mm <sup>2</sup>       | 26 AWG/0.14mm <sup>2</sup>       |
| Housing material            |     | Crastin                          | Crastin                          |
| Housing diameter            | mm  | —                                | —                                |
| Sensing face                |     | Crastin                          | Crastin                          |
| Connection                  |     | 0.1 m, PVC cable                 | 0.1 m, PVC cable                 |

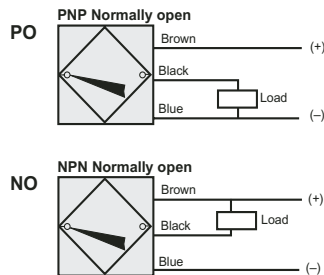


10

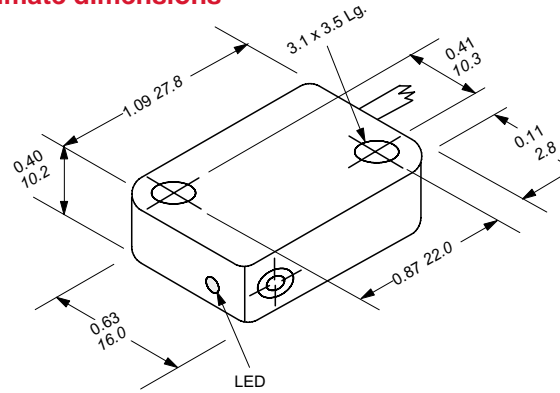
### Approximate dimensions



### Wiring diagrams



### Approximate dimensions



### Wiring diagrams

