



Inductive 3 Wire DC Sensing range: 6mm

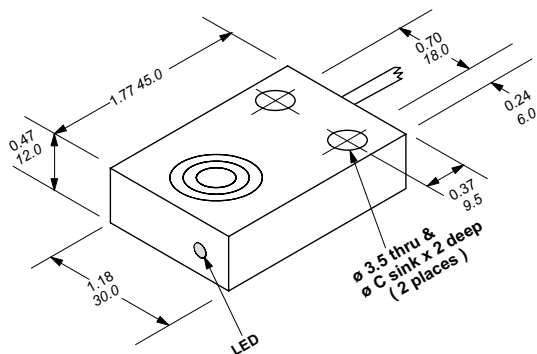
Operating distance		6mm
Catalog number		SIF6B45NV2PO
List price		\$ 120.00
Sensor mounting		Shielded
Output		PNP Normally Open
Suffix PO		—
Suffix NO		—
Operating voltage	VDC	10 – 60
Load current	mA	200
Switching frequency	Hz	500
No load supply current	mA	15
Voltage drop	VDC	2
Short circuit protection		yes
Reverse polarity protection		yes
Output indication		LED yellow
Operating temperature	°F	-13 ... +158
Protection		IP67
IEC		IP67
Approvals		
CE		yes
UL Listed		yes
CSA		yes
Wire size		22 AWG/0.34mm ²
Housing material		Crastin
Housing diameter	mm	—
Sensing face		Crastin
Connection		2 m, PVC cable



SIF6B45NV2PO

10

Approximate dimensions



Wiring diagrams

