

# Inductive 3 Wire DC Sensing range: 10mm

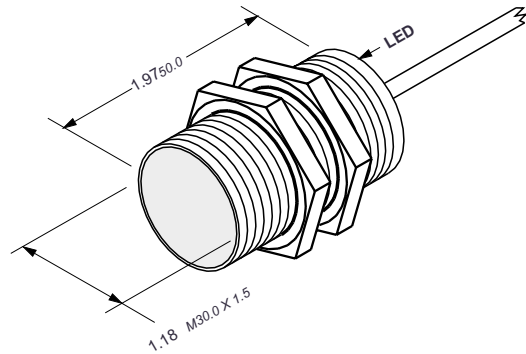
Proximity  
Sensors

Operating distance		10mm	10mm
Catalog number		SIF10M30NV2PO SIF10M30NV2NO	SIF10M30NC1PO SIF10M30NC1NO
List price		<b>\$ 86.00</b>	<b>\$ 88.00</b>
Sensor mounting		Shielded	Shielded
Output		PNP Normally Open NPN Normally Open	PNP Normally Open NPN Normally Open
Suffix PO			
Suffix NO			
Operating voltage	VDC	10 – 30	10 – 30
Load current	mA	200	200
Switching frequency	Hz	200	200
No load supply current	mA	15	15
Voltage drop	VDC	2	2
Short circuit protection		yes	yes
Reverse polarity protection		yes	yes
Output indication		LED yellow	Ring LED yellow
Operating temperature	°F	-13 ... +158	-13 ... +158
Protection			
IEC		IP67	IP67
Approvals			
CE		yes	yes
UL Listed		yes	yes
CSA		yes	yes
Wire size		22 AWG/0.34mm <sup>2</sup>	—
Housing material		Nickel-plated brass	Nickel-plated brass
Housing diameter	mm	30	30
Sensing face		Crastin	Crastin
Connection		2 m, PVC cable	Connector M12

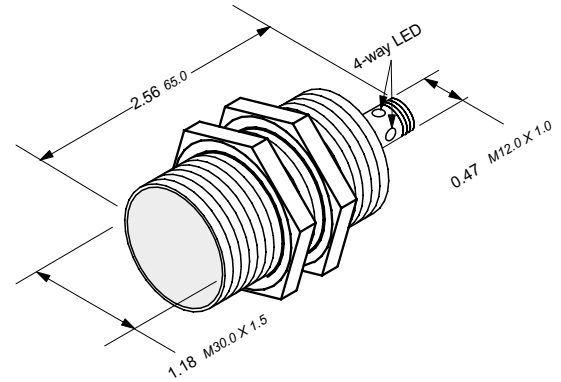


10

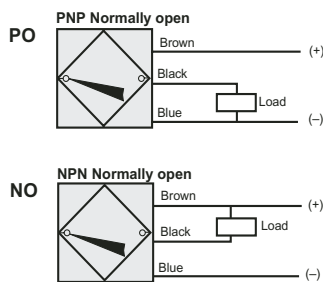
## Approximate dimensions



## Approximate dimensions



## Wiring diagrams



## Wiring diagrams

