



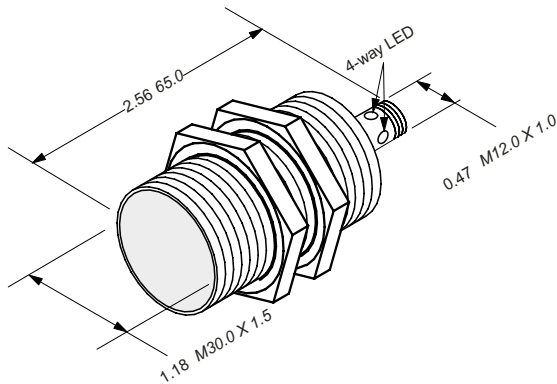
# Inductive 3 Wire DC Sensing range: 10mm

<b>Operating distance</b>		<b>10mm</b>
Catalog number		SIF10M30EC1PO
List price		<b>\$ 79.00</b>
Sensor mounting		Shielded
Output		PNP Normally Open
Suffix PO		
Suffix NO		
Operating voltage	VDC	10 – 60
Load current	mA	200
Switching frequency	Hz	650
No load supply current	mA	≤15
Voltage drop	VDC	≤ 2
Short circuit protection		yes
Reverse polarity protection		yes
Output indication		Ring LED yellow
Operating temperature	°F	-14 ... +158
Protection		IP67
IEC		
Approvals		
CE		yes
UL Listed		yes
CSA		yes
Wire size		—
Housing material		Stainless steel
Housing diameter	mm	30
Sensing face		Crastin
Connection		Connector M12



10

## Approximate dimensions



## Wiring diagrams

