



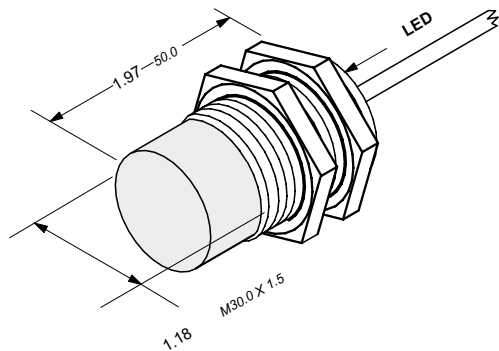
Inductive 3 Wire DC Sensing range: 15mm

Operating distance		15mm	15mm
Catalog number		SIN15M30NV2PO SIN15M30NV2NO	SIN15M30NC1PO SIN15M30NC1NO
List price		\$ 80.00	\$ 84.00
Sensor mounting		Non-shielded	Non-shielded
Output			
Suffix PO		PNP Normally Open	PNP Normally Open
Suffix NO		NPN Normally Open	NPN Normally Open
Operating voltage	VDC	10 – 30	10 – 30
Load current	mA	200	200
Switching frequency	Hz	100	100
No load supply current	mA	15	15
Voltage drop	VDC	2	2
Short circuit protection		yes	yes
Reverse polarity protection		yes	yes
Output indication		LED yellow	Ring LED yellow
Operating temperature	°F	-13 ... +158	-13 ... +158
Protection			
IEC		IP67	IP67
Approvals			
CE		yes	yes
UL Listed		yes	yes
CSA		yes	yes
Wire size		22 AWG/0.34mm ²	—
Housing material		Nickel-plated brass	Nickel-plated brass
Housing diameter	mm	30	30
Sensing face		Crastin	Crastin
Connection		2 m, PVC cable	Connector M12

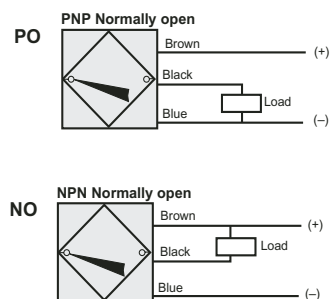


10

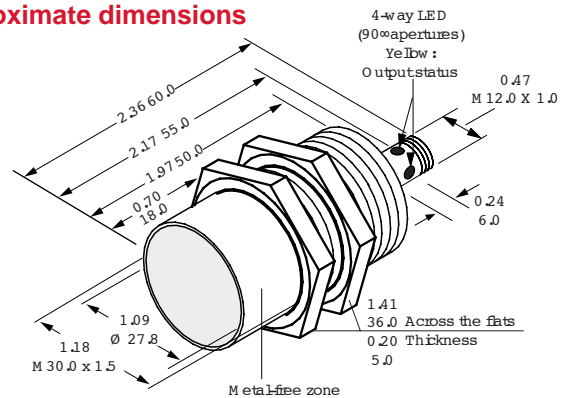
Approximate dimensions



Wiring diagrams



Approximate dimensions



Wiring diagrams

