

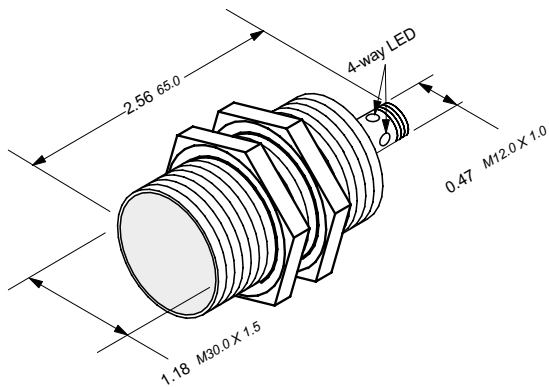
Inductive 3 Wire DC Sensing range: 15mm

Operating distance	10mm	
Catalog number	SIN15M30EC1PO	
List price	\$ 79.00	
Sensor mounting	Non-shielded	
Output	PNP Normally Open	
Suffix PO		
Suffix NO		
Operating voltage	VDC	10 – 60
Load current	mA	200
Switching frequency	Hz	500
No load supply current	mA	≤15
Voltage drop	VDC	≤2
Short circuit protection		yes
Reverse polarity protection		yes
Output indication		Ring LED yellow
Operating temperature	°F	-14 ... +158
Protection		IP67
IEC		
Approvals		
CE		yes
UL Listed		yes
CSA		yes
Wire size		—
Housing material		Stainless steel
Housing diameter	mm	30
Sensing face		Crastin
Connection		Connector M12



10

Approximate dimensions



Wiring diagrams

