



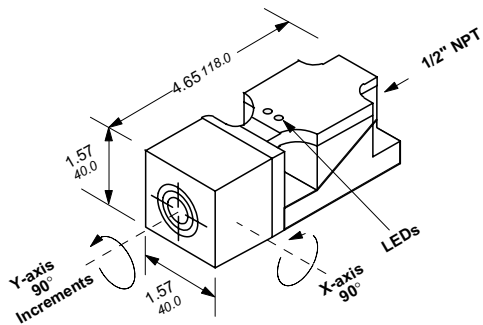
Inductive 3 Wire DC Sensing range: 15mm

Operating distance		15mm	15mm
Catalog number		SIF15Q40UTPO ^① SIF15Q40UTNO ^①	SIF15Q40NC1PO
List price		\$ 107.00	\$ 116.00
Sensor mounting		Shielded	Shielded
Output			
Suffix PO		PNP Normally Open	PNP Normally Open
Suffix NO		NPN Normally Open	NPN Normally Open
Operating voltage	VDC	10 – 60	10 – 60
Load current	mA	200	200
Switching frequency	Hz	300	300
No load supply current	mA	15	15
Voltage drop	VDC	2	2
Short circuit protection		yes	yes
Reverse polarity protection		yes	yes
Output indication		LED yellow/LED green	LED yellow/LED green
Operating temperature	°F	-13 ... +158	-13 ... +158
Protection			
IEC		IP67	IP67
Approvals			
CE		yes	yes
UL Listed		yes	yes
CSA		yes	yes
Wire size		Up to 14 AWG/2.5mm ²	—
Housing material		Crastin/metal base	Crastin/Crastin base
Housing diameter	mm	—	—
Sensing face		Crastin	Crastin
Connection		Terminal	Connector M12

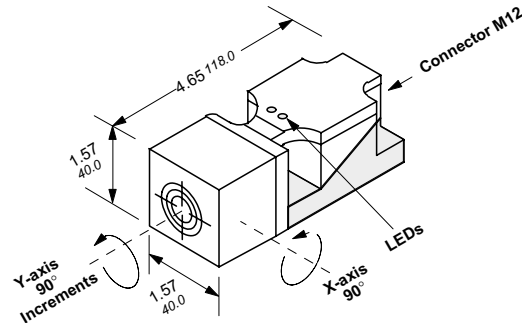


10

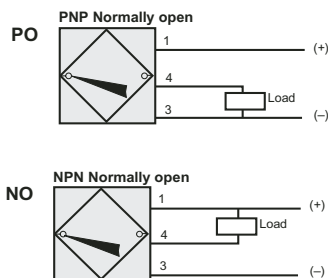
Approximate dimensions



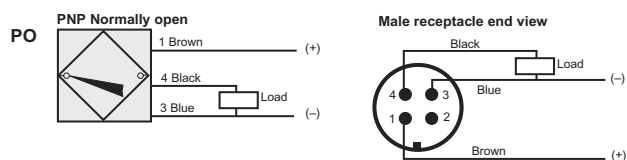
Approximate dimensions



Wiring diagrams



Wiring diagrams



① To order Pg13.5 threaded connection, order part numbers:
SIF15-Q40N-T-PO
SIF15-Q40N-T-NO