



Inductive 3 Wire DC Sensing range: 50mm

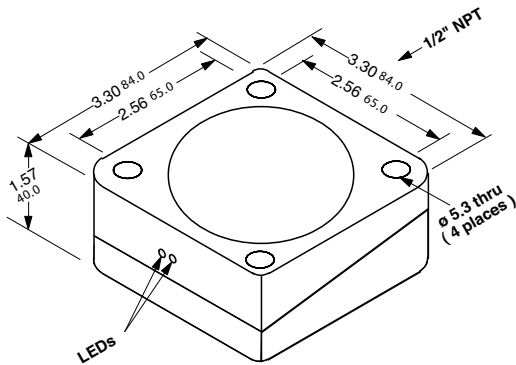
Operating distance		50mm
Catalog number		SIN50Q80UTPO ①
List price		\$ 210.00
Sensor mounting		Non-shielded
Output		PNP Normally Open
Suffix PO		—
Suffix NO		—
Operating voltage	VDC	10 – 60
Load current	mA	200
Switching frequency	Hz	100
No load supply current	mA	15
Voltage drop	VDC	2
Short circuit protection		yes
Reverse polarity protection		yes
Output indication		LED yellow/LED green
Operating temperature	°F	-13 ... +158
Protection		IP67
IEC		IP67
Approvals		
CE		yes
UL Listed		yes
CSA		yes
Wire size		—
Housing material		Crastin/metal base
Housing diameter		—
Sensing face		Crastin
Connection		Terminal



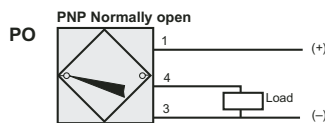
SIN50Q80UTPO

10

Approximate dimensions



Wiring diagrams



① To order Pg13.5 threaded connection, order part number:
SIN50-Q80N-T-PO