

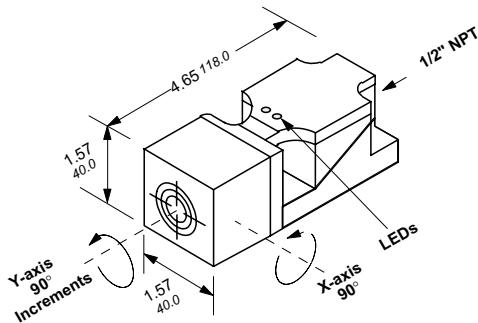
Inductive 4 Wire DC Sensing range: 15mm – 20mm

Operating distance		15mm	20mm
Catalog number		SIF15Q40UTPK ① SIF15Q40UTNK ①	SIF20Q40UTPK ② SIF20Q40UTNK ②
List price		\$ 136.00	\$ 120.00
Sensor mounting		Shielded	Shielded
Output			
Suffix PK		PNP N.O. + N.C.	PNP N.O. + N.C.
Suffix NK		NPN N.O. + N.C.	NPN N.O. + N.C.
Operating voltage	VDC	10 – 60	10 – 60
Load current	mA	200	200
Switching frequency	Hz	150	150
No load supply current	mA	20	20
Voltage drop	VDC	2	2
Short circuit protection		yes	yes
Reverse polarity protection		yes	yes
Output indication		LED yellow/LED green	LED yellow/LED green
Operating temperature	°F	-13 ... +158	-13 ... +158
Protection			
IEC		IP67	IP67
Approvals			
CE		yes	yes
UL Listed		yes	yes
CSA		yes	yes
Wire size		Up to 14 AWG/2.5mm ²	Up to 14 AWG/2.5mm ²
Housing material		Crastin/metal base	Crastin/metal base
Housing diameter	mm	—	—
Sensing face		Crastin	Crastin
Connection		Terminal	Terminal

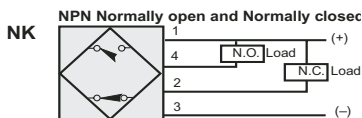
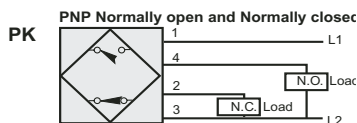


10

Approximate dimensions

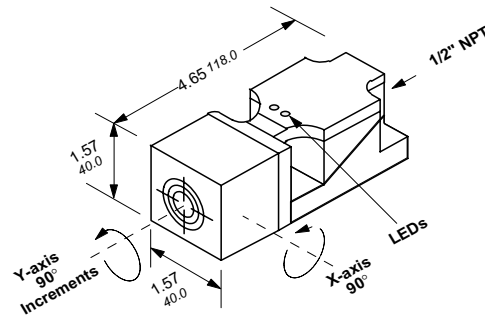


Wiring diagrams

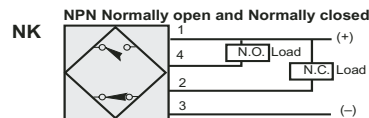
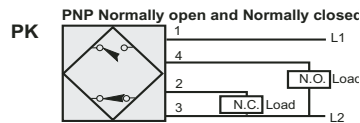


① To order Pg13.5 threaded connection, order part numbers:
SIF15-Q40N-T-PK
SIF15-Q40N-T-NK

Approximate dimensions



Wiring diagrams



② To order Pg13.5 threaded connection, order part numbers:
SIF20-Q40N-T-PK
SIF20-Q40N-T-NK