

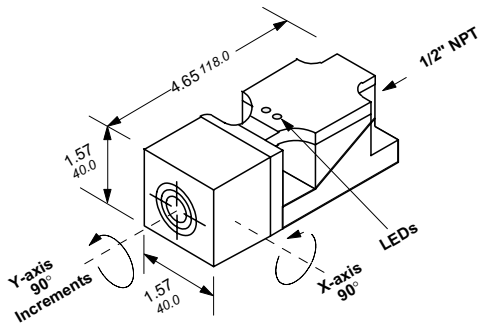
Inductive 4 Wire DC Sensing range: 30mm

Operating distance		30mm	30mm
Catalog number		SIN30Q40UTPK ① SIN30Q40UTNK	SIN30Q40TC1PK
List price		\$ 124.00	\$ 124.00
Sensor mounting		Non-shielded	Non-shielded
Output			
Suffix PK		PNP N.O. + N.C.	PNP N.O. + N.C.
Suffix NK		NPN N.O. + N.C.	
Operating voltage	VDC	10 – 60	10 – 30
Load current	mA	200	200
Switching frequency	Hz	150	150
No load supply current	mA	20	20
Voltage drop	VDC	2	2
Short circuit protection		yes	yes
Reverse polarity protection		yes	yes
Output indication		LED yellow/LED green	LED yellow
Operating temperature	°F	-13 ... +158	-13 ... +158
Protection			
IEC		IP67	IP67
Approvals			
CE		yes	yes
UL Listed		yes	yes
CSA		yes	yes
Wire size		Up to 14 AWG/2.5mm ²	—
Housing material		Crastin/metal base	Crastin/Crastin base
Housing diameter	mm	—	—
Sensing face		Crastin	Crastin
Connection		Terminal	Connector M12

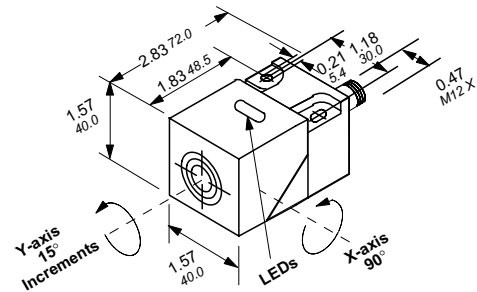


10

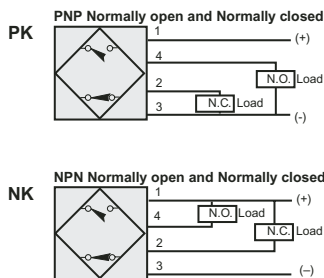
Approximate dimensions



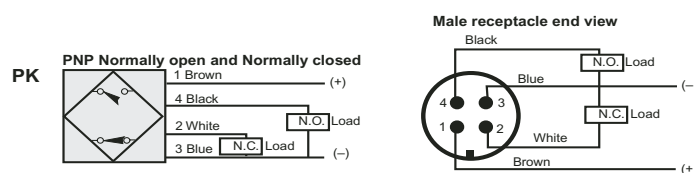
Approximate dimensions



Wiring diagrams



Wiring diagrams



① To order Pg 13.5 threaded connection, order part numbers:
SIN30-Q40N-T-PK, SIN30-Q40N-T-NK.